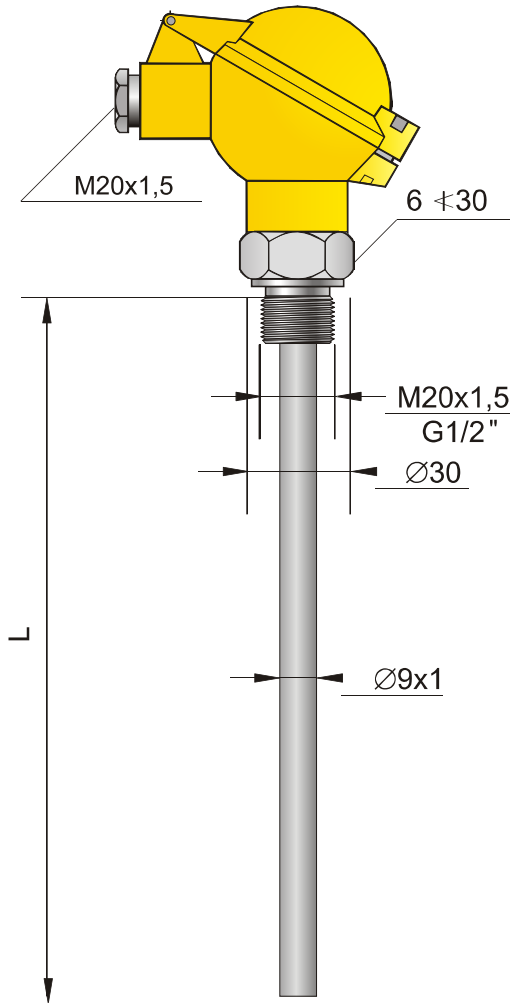


Temperature sensor type CT GB1



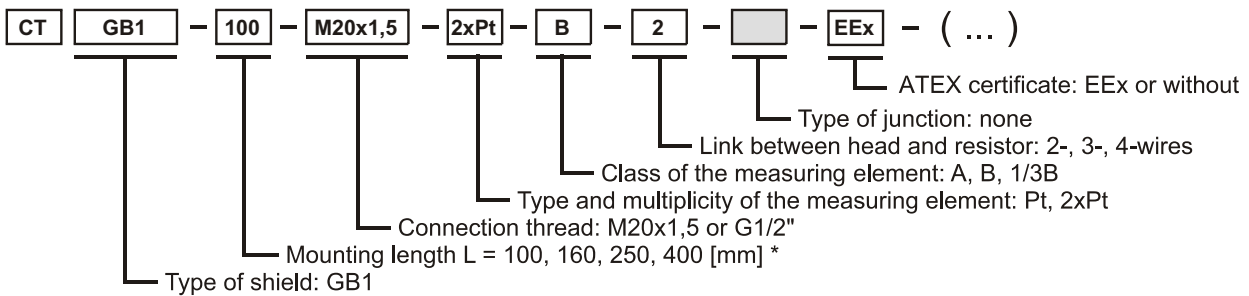
TECHNICAL DATA:

- Measuring range:
Pt: -200 ... 150 [°C]
- Admissible load:
see **Graph 2** (page 128)
- Material of wetted parts:
304ss or 316Lss
- Standard immersion length L:
100, 160, 250, 400 [mm] (*)
- Process connection:
M20x1,5 or G1/2
- Time constant:

Type of sensor	T _{0.5} [s]	T _{0.9} [s]
CT GB1	≤ 33	≤ 95

- Diameter of the measuring insert:
Ø= 6 [mm]
- Minimal immersion depth:
70 [mm]
- Admissible vibrations at mounting site:
5 ... 80 [Hz] (up to 5 [g])

Ordering procedure:



ADDITIONAL INFORMATION:

- * Non-standard length of temperature sensors on demand.
- Type of exchangeable insert: W1.
- To specify temperature sensor with the head - mounted transmitter please add code of transmitter at the end of ordering code of sensor (see chapter X) e.g.

