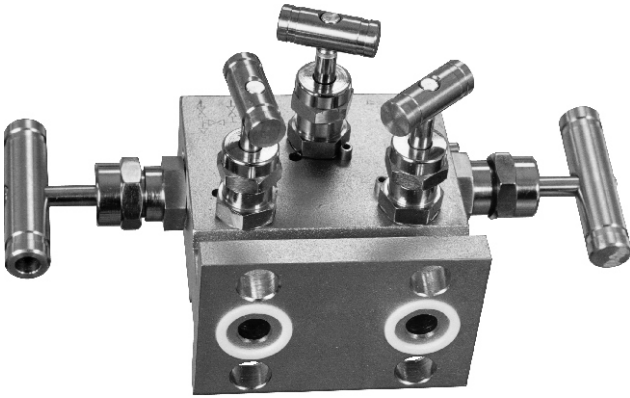
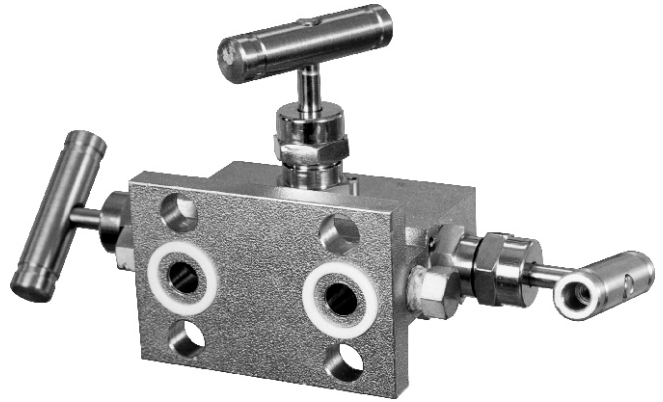


VM-3 and VM-5 valve manifolds

✓ Body material – stainless steel (316ss)



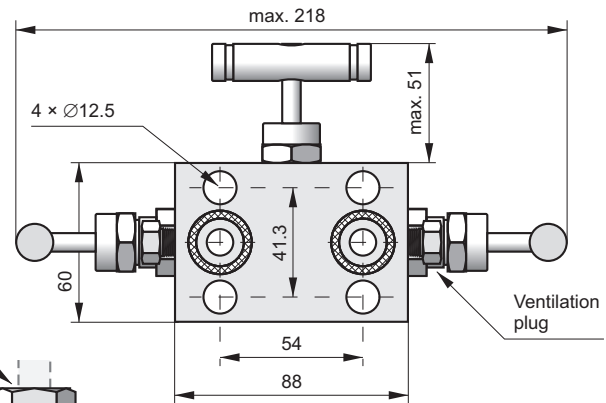
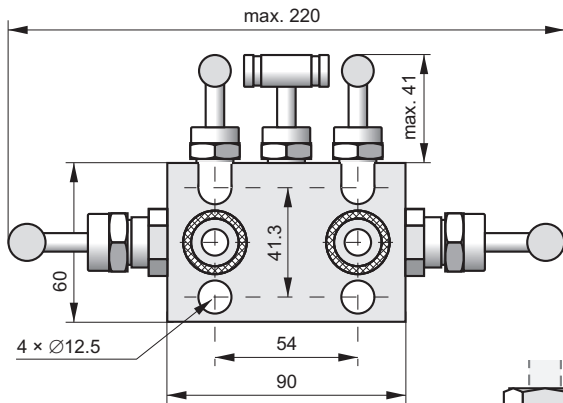
VM-5 valve



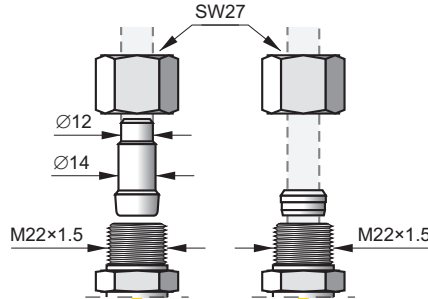
VM-3 valve

Features

3-valve and 5-valve manifolds are used where relative pressure transmitters are installed. They enable essential operations to be performed on the transmitters, such as starting up a transmitter or setting the zero position in conditions of static or atmospheric pressure. The five-valve manifold also enables a calibrator to be connected for metrological testing of the transmitter. The VM-3 and VM-5 have a modern lightweight construction. The high precision of manufacture enables individual valves to be opened and closed easily.

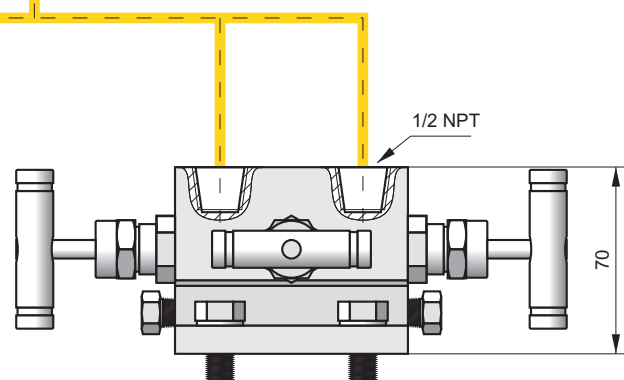
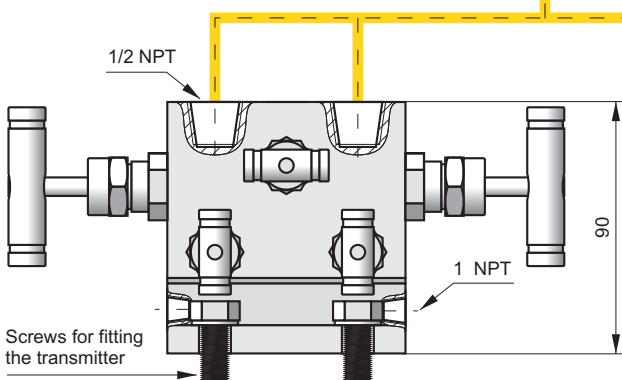


Weldable connector for impulse line made from: stainless steel 316Lss /1/ K11562 steel /2/



Connector for impulse line, made from 316ss stainless steel with a clamping ring:

Ø12 /3/
Ø14 /4/



Technical parameters

Maximum pressure 420 bar
(according to the graph)

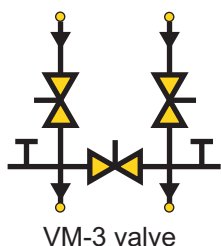
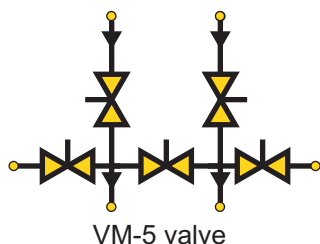
Pin packing PTFE
or graphite

Body material 316ss

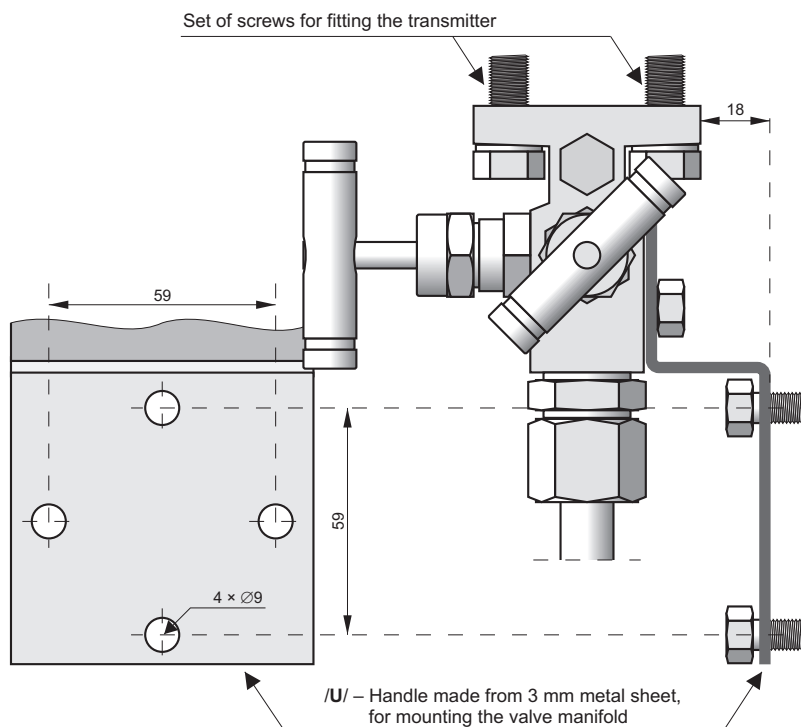
Weight: VM-3 1.8 kg
VM-5 2.54 kg

Connectors:
to the installation – ½ NPT sockets
to the transmitter – 54 mm spacing

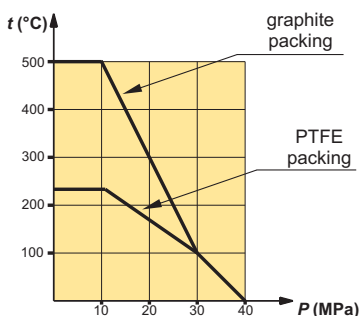
Connection diagrams



Example of installation of the VM-3 with fitting accessories

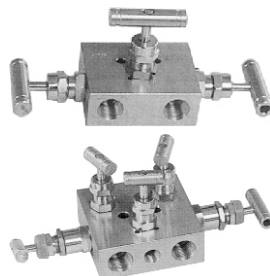


Operating pressure range as a function of temperature

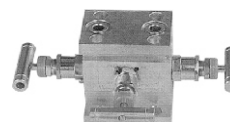


Special versions

Versions R



Versions H



Recommendations concerning selection of valves

The standard versions of the valves have Teflon pin packing; a special version is available with graphite packing. The special version should be used only when the valves operate at temperatures in excess of 200°C.

The valve manifold is supplied with seals for the collar-type output points. To order, it can be supplied additionally with a set of M10 or 7/16" screws for fitting the transmitter, connectors for impulse lines and a sheet-metal handle used to mount the valve on the construction.

Ordering procedure

Valve manifolds:
3-valve – **VM-3** / / /
5-valve – **VM-5** / / /

Special versions:
H – constructional versions (only VM-3)
R – constructional versions
Graphite – graphite pin packing
Tien – valve adapted to contact with oxygen
NACE – NACE compliance

Additional equipment – description:

Code	Product
A	Set of M10 screws for fitting the transmitter (up to 250 bar)
A12.9	Set of M10 screws for fitting the transmitter (up to 420 bar)
B	Set of 7/16" × 1" screws for fitting the transmitter (up to 420 bar)
C	Set of 7/16" × 2 ¼" screws for fitting the transmitter with covers type COPLANAR
1	Set of weldable stainless steel connectors (316ss)
2	Set of weldable steel connectors (K11562)
3	Set of connectors with Ø12 clamping ring
4	Set of connectors with Ø14 clamping ring
U	Handle for mounting the valve