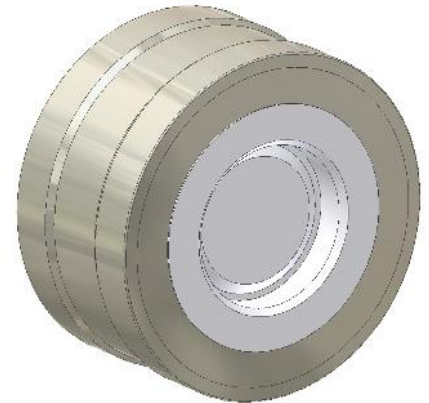




Non Return Valve Type DTEF DN015 - 150

Designation	Material
Supporting ring	St.steel 1.4301
Body / Retainer	see table
Valve plate	see table
Spring	Hastelloy C4, PFA coated



Technical specifications

Placement between flange according to DIN EN 1092-1 PN10 and ANSI B 16.5 CL. 150

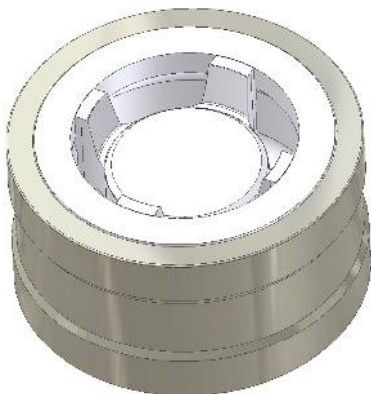
Nominal pressure max. PN10

Overall lengths according to DIN EN 558, Gr. 52

Tightness according to DIN EN 12266-1, Leakage Rate D (Sealing M and T) and Leakage Rate A (Sealing E, P, V)

Operational limits according to DIN EN 1092-1

Identification according to DIN EN 19



Utilisation

For aggressive liquids, gases and steams in all process technology.

Constructional Features

Parts which are in contact with the medium are made of PTFE or other high-quality synthetics.

The supporting ring chambers the body and protects from lateral flange pressure.

Guiding of valve plate by the ribs of the spring cap.

The Hastelloy C4 spring is coated with a PTFE/PFA tube and welded on the ends.

Special Types

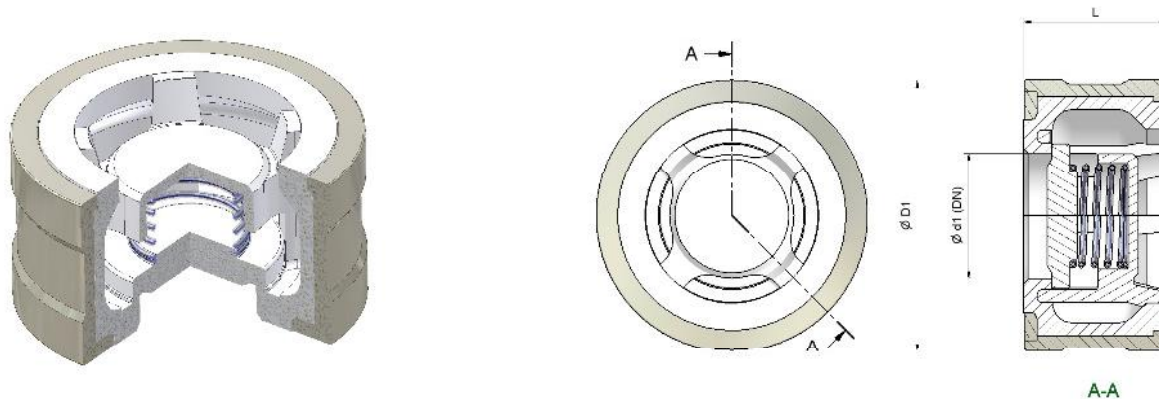
On request

Designation: DTEF- 7 5 7 5 - M - 1 0 0
DTEF- □□ - □□ - □ - □□□ → DN015 - 150

Body		Valve plate		Soft sealing		
Material	Code	Material	Code	Material	Temperatur	Code
PTFE+25% glass	75	PTFE+25% glass	75	Without sealing		M
TFM/PTFE cond. FDA	87	TFM/PTFE cond. FDA	87	VITON	-20 bis 200°C	V
				EPDM	-50 bis 130°C	E
				NBR	-30 bis 120°C	P



CE 1250



DN (mm)	015	020	025	032	040	050	065	080	100	125	150
DN (zoll)	1/2"	3/4"	1"	1 1/4"	1 1/2"	2"	2 1/2"	3"	4"	5"	6"
L	25	31.5	35.5	40	45	56	63	71	80	90	106
ØD1, PN10	51	61	71	82	92	107	127	142	162	192	218
ØD1, ANSI150	47.6	57.1	66.7	76.2	85.7	104.7	123.8	136.5	170	192	218
Gewicht	0.1	0.3	0.4	0.55	0.8	1.3	2	2.5	3.6	5	7

The pressure rates marked in blue are indicating the use of a centre ring. (See extra charges on the price list).

Opening pressures (mbar)

DN (mm)	015	020	025	032	040	050	065	080	100	125	150
DN (zoll)	1/2"	3/4"	1"	1 1/4"	1 1/2"	2"	2 1/2"	3"	4"	5"	6"
p _o ↑	25	25	25	27	28	29	30	31	33	33	35
p _o →	20	20	20	20	20	20	20	20	20	20	20
p _o ↓	15	15	15	13	12	11	10	9	7	7	5

Pressure drop diagram

Pressure drop diagram for water at 20°C with opened valve and horizontal flow.
For calculating the pressure drop of the medium the equivalent water flow volume has to be calculated..

$$\dot{V}_w = \dot{v} \sqrt{\frac{\rho}{1000}}$$

- \dot{V}_w = Equivalent water flow volume in m3/h
- ρ = Density of the medium (in use) kg/m3
- \dot{v} = Flow volume of the medium (in use) in m3/h

