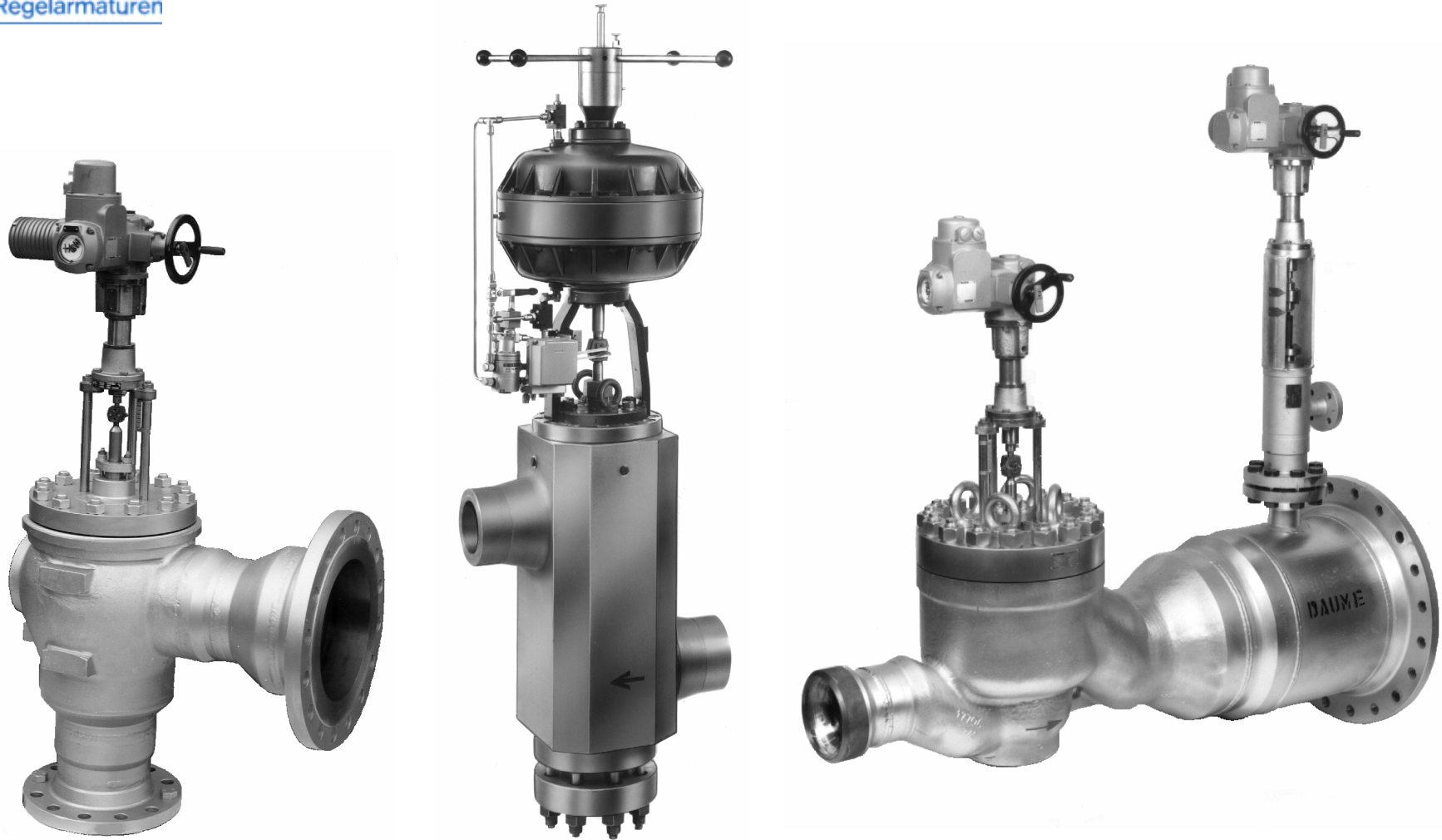




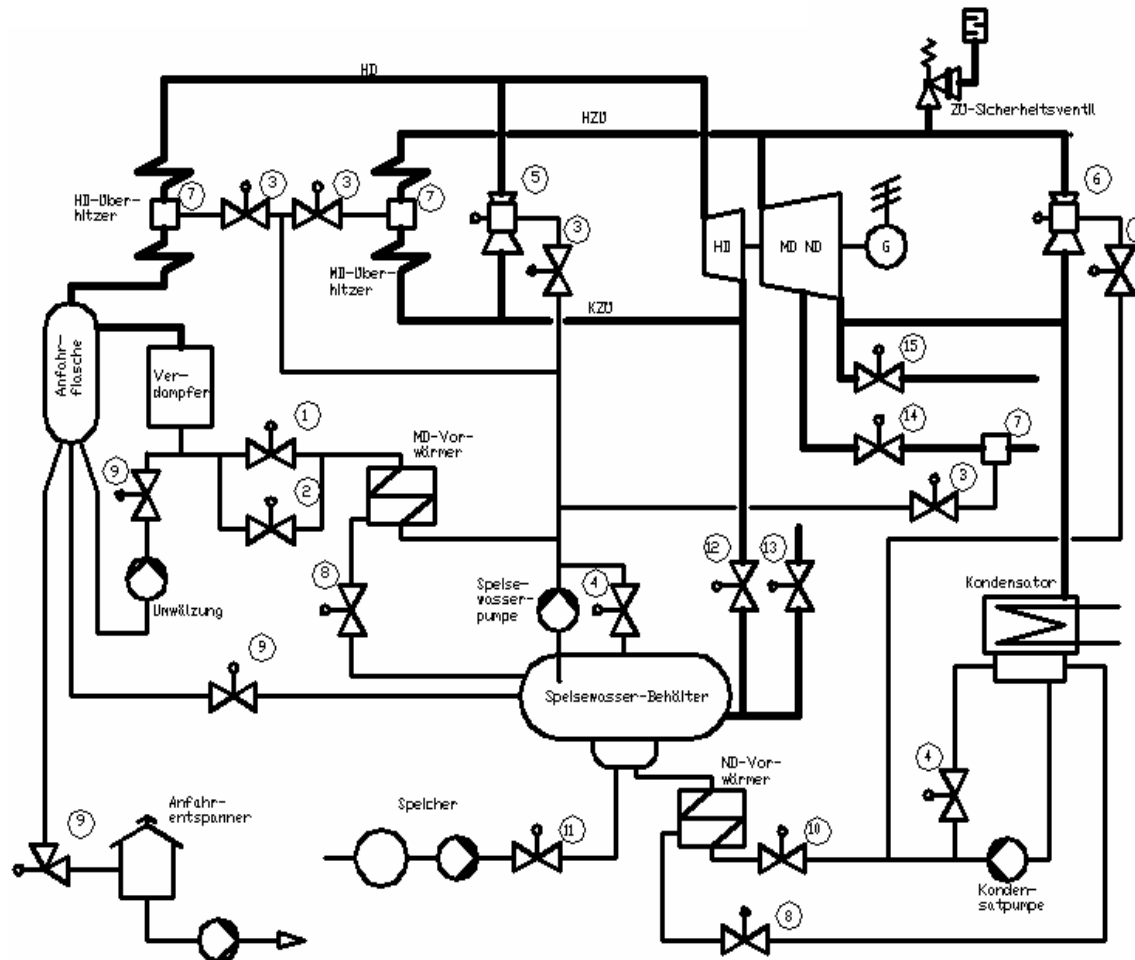
Control valves for power plants



Experience Competence Quality Manufacture Assembly Service **Products** DAUME



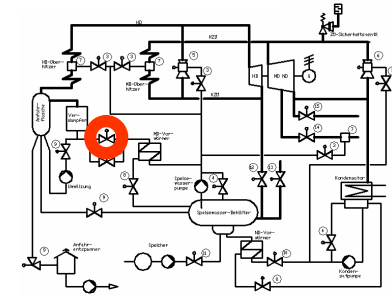
Example: Water steam circuit of a conventional power plant



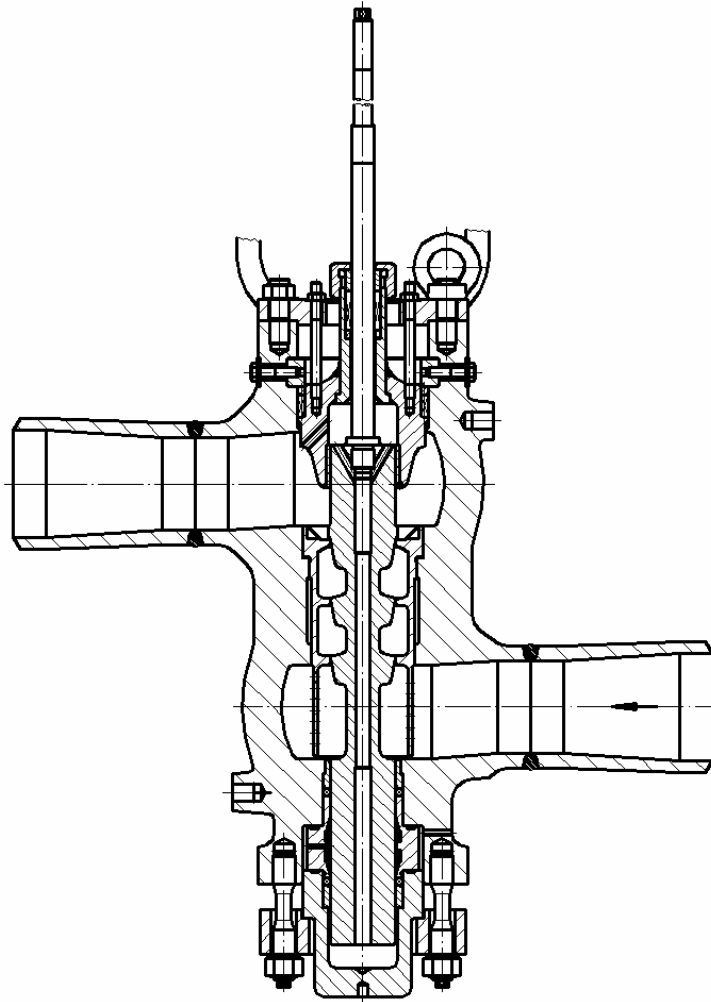
1. Feed water control valve
2. Start up control valve
3. Feed water injection valve
4. Minimum quantity control valve
5. Steam converting valve
6. Angle valve with downstreamed injection
7. Desuperheater
8. Low pressure drain valve
9. Drain control valve
10. Condensate (level) control valve
11. Drain control valve
12. Steam control valve
13. Steam control valve
14. / 15. Control valve



Feed water control valve type 190 Z 20 to Z 200



1



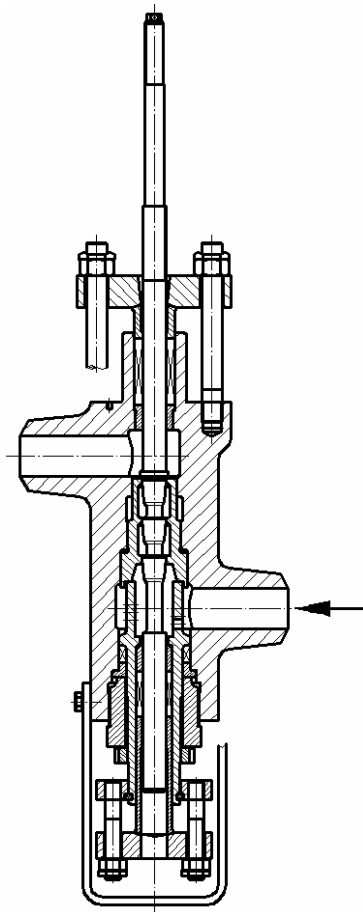
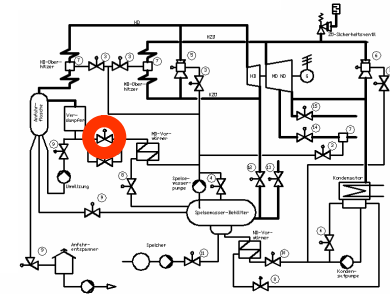
z-shaped
DN 10 to DN 250
solid design

construction characteristics:
body material: stainless steel;
heat resistant construction steel
cone: parabolic cone 1-2-3-stages
relief
slight forces
flow straightener

application: steam generator,
feed water plants; etc.



Feed water injection valve Typ 190 Z 32

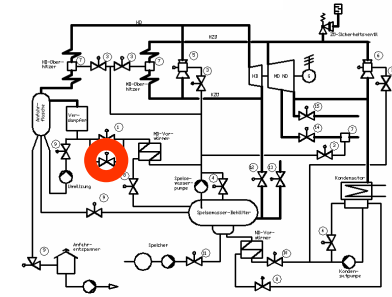


z-shaped
DN 10 up to DN 80

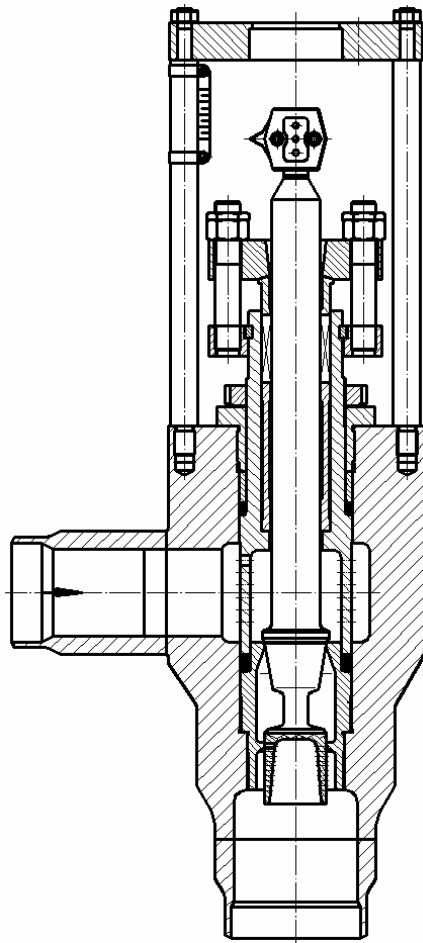




Start up control valve type 190 E 70



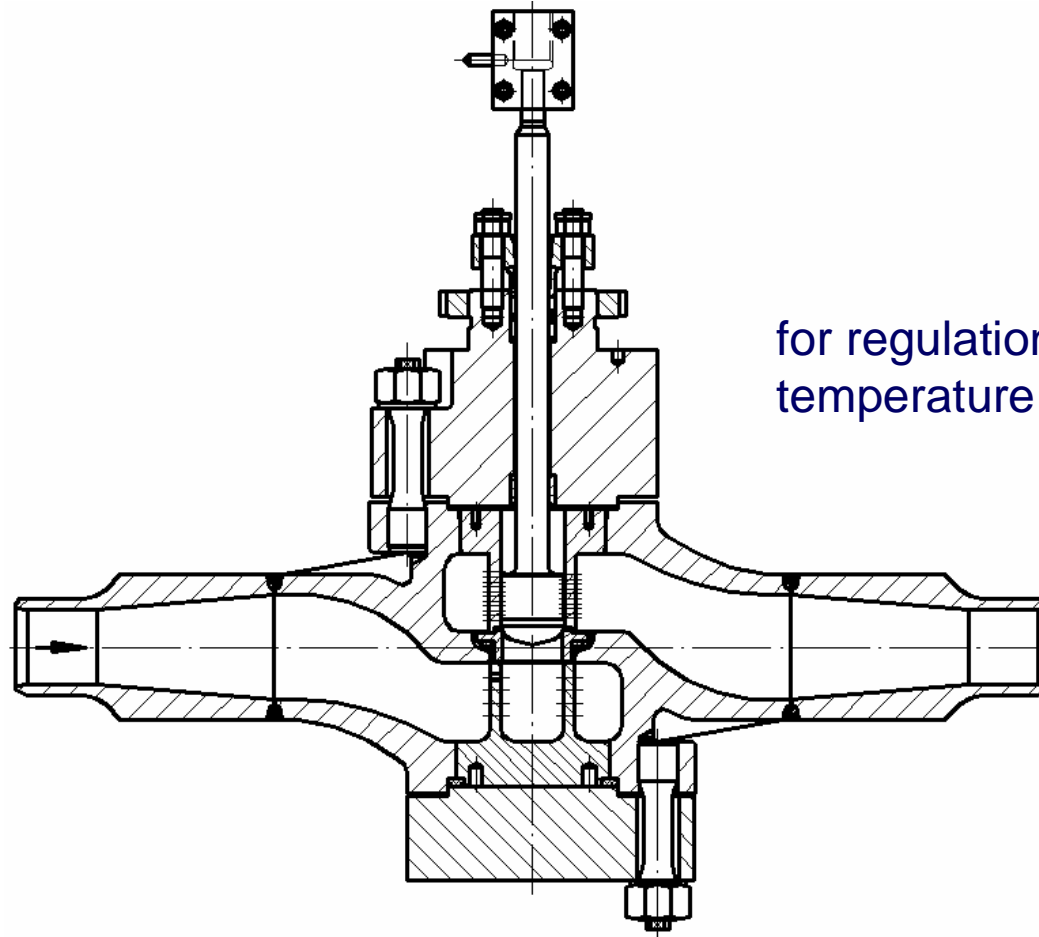
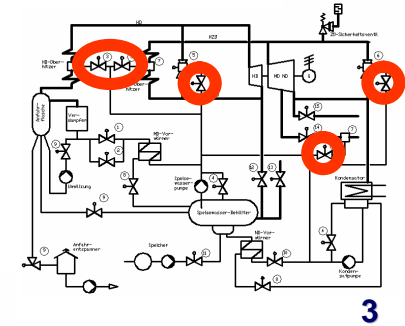
2



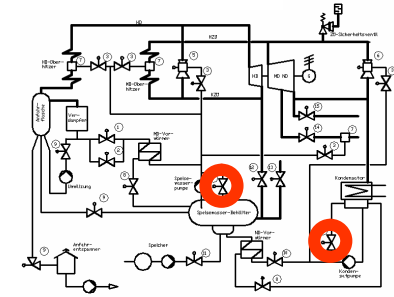
angle valve
DN 50 to DN 200



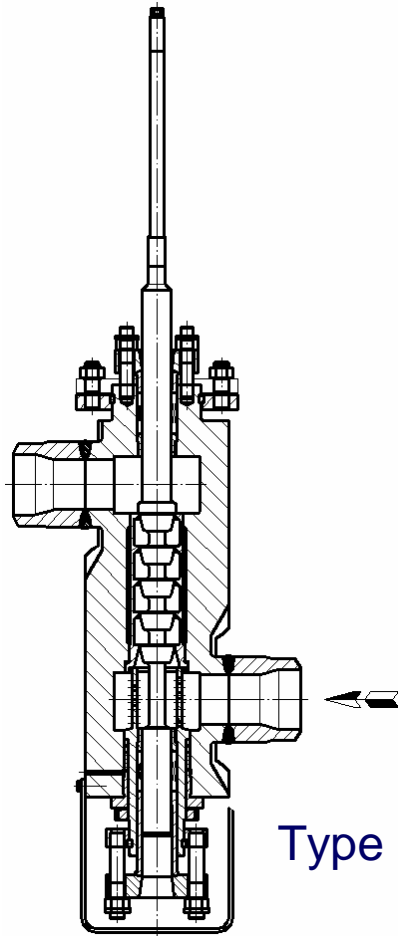
Feed water injection valve



Minimum quantity control valve



4

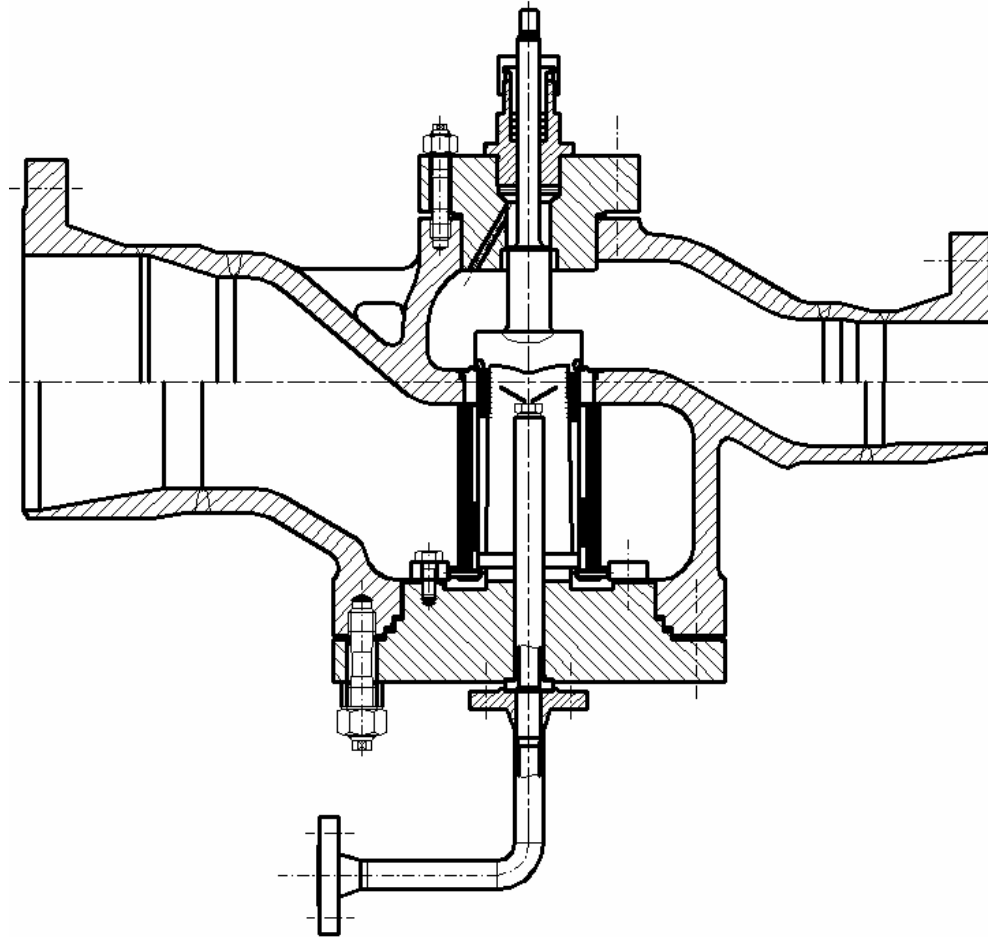
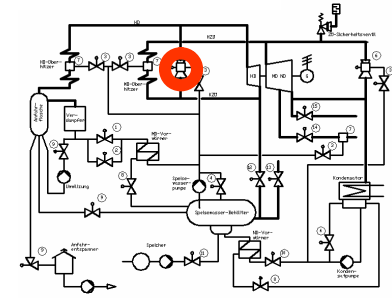


z-shaped
DN 10 to DN 250

Type 190 Z70

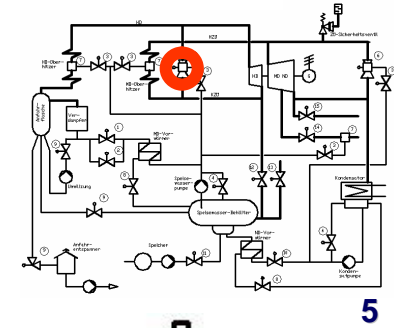


Steam converting valve

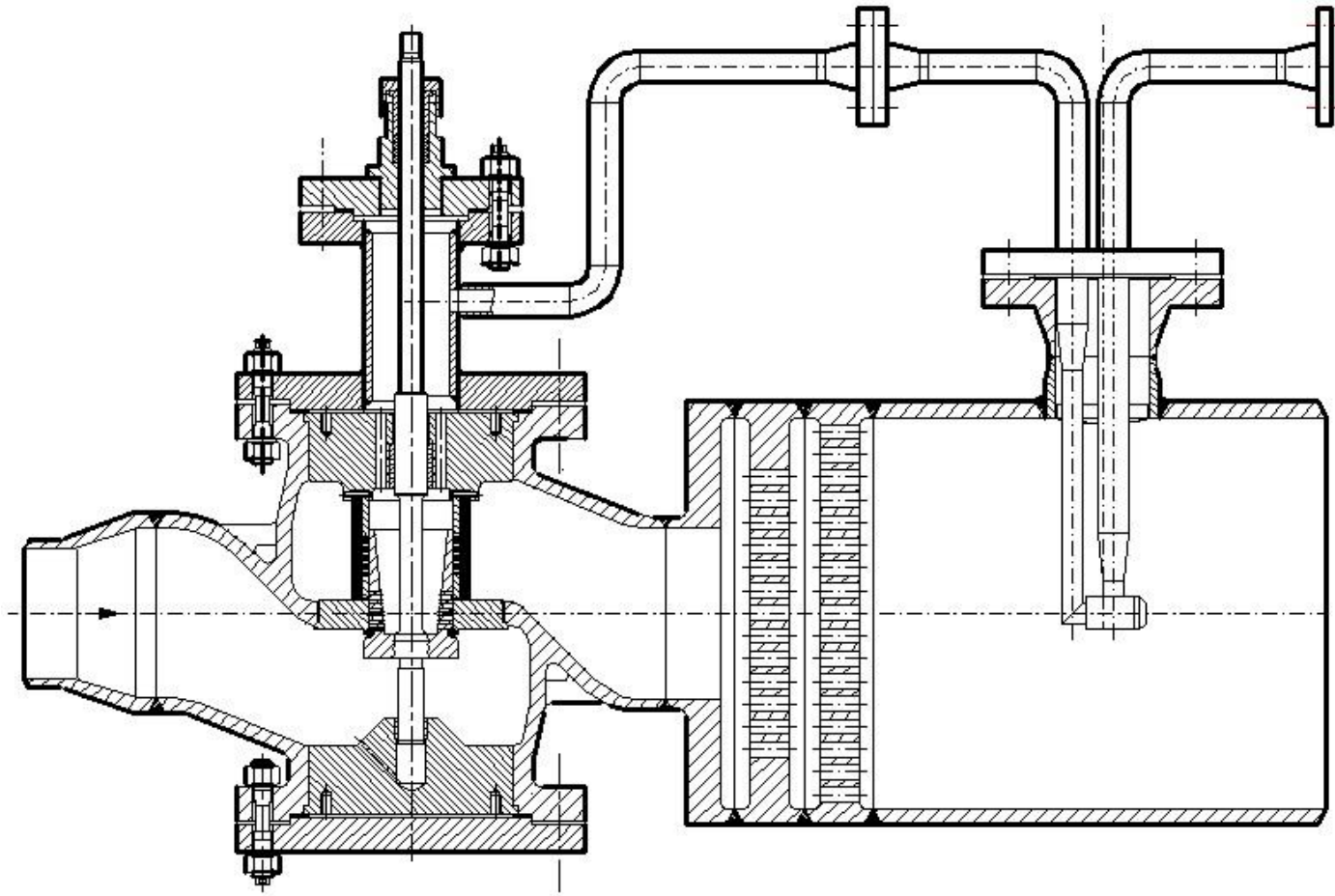




Steam converting valve DN 80 / 250



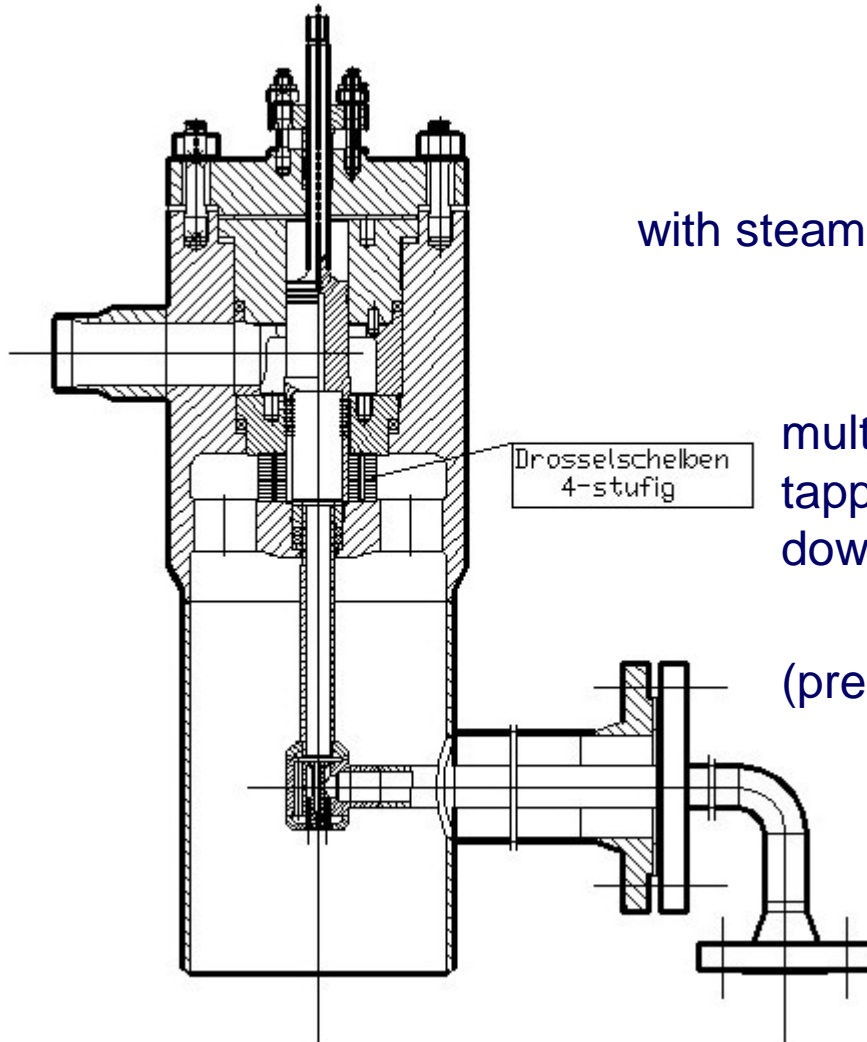
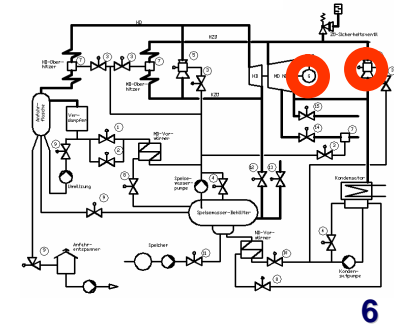
5



Experience Competence Quality Manufacture Assembly Service **Products** DAUME



Angle valve with downstreamed injection

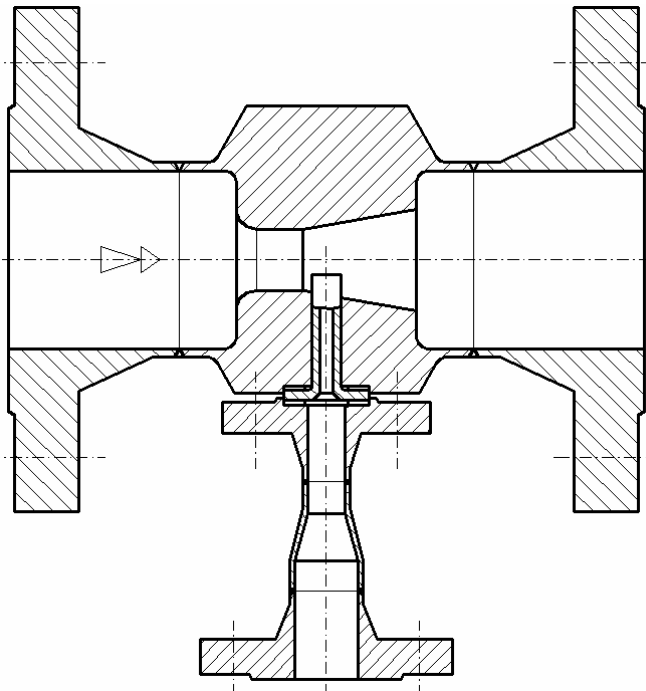


with steam injector for actuation

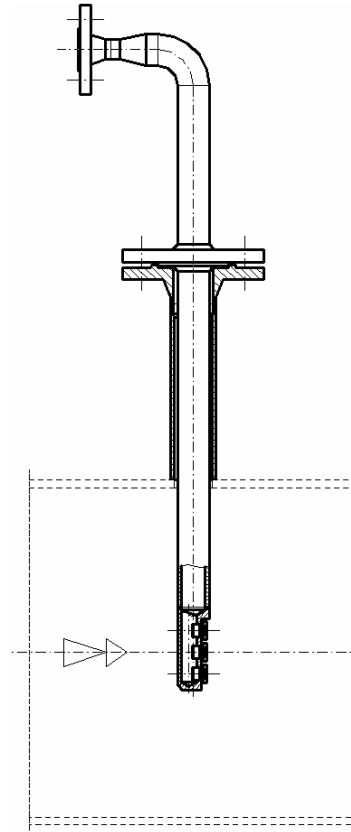
multistage pressure reducing valve with tapping of actuation steam and downstreamed injection in angle-shape

(pressure and temperature reduction)

Desuperheater



application for reduction of evaporation and mix time



adequate for installation in middle or low pressure steam lines in range of DN 80 up to DN 400

