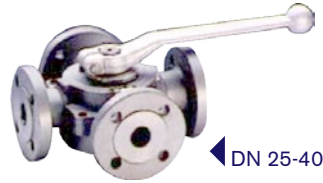
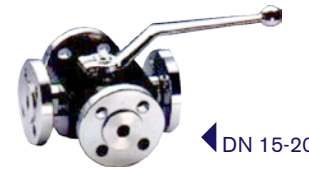


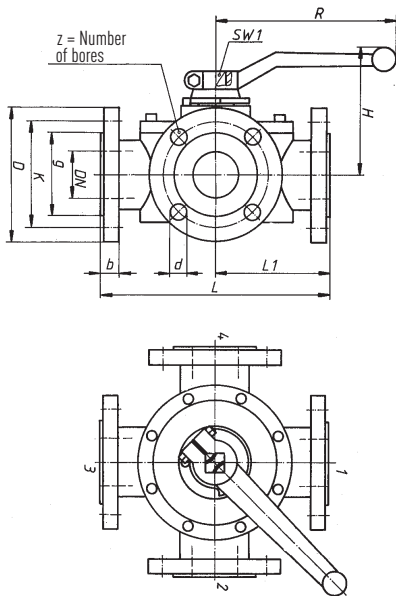
DN 50-100 ▲



DN 25-40



DN 15-20



Flange dimensions DIN 2501 page 1	DN	PN	L	L1	D	g	K	b	z	d	H	R	SW 1	Mass	Order-No.		
	mm	bar	mm	mm	mm	mm	mm	mm	mm	mm	mm	mm	mm	kg	Scheme T Pos.I Pos.II Pos.III Pos.IV	Scheme L Pos.I Pos.II Pos.III Pos.IV	Scheme X Pos.I Pos.II
PN 10-16 Flanged ends raised face*	15	16	170	85	95	45	65	16	4	14	90	205	16	8,9	VNF T 016.015	VNF L 016.015	VNF X 016.015
	20	16	195	97,5	105	58	75	18	4	14	85	300	16	10,8	T 016.020	L 016.020	X 016.020
	25	16	220	110	115	68	85	18	4	14	95	350	22	14,0	T 016.025	L 016.025	X 016.025
	32	16	240	120	140	78	100	18	4	18	100	350	22	19,2	T 016.032	L 016.032	X 016.032
	40	16	285	142,5	150	88	110	18	4	18	110	350	22	28,0	T 016.040	L 016.040	X 016.040
	50	16	290	145	165	102	125	20	4	18	145	500	22	35,0	T 016.050	L 016.050	X 016.050
	65	16	310	155	185	122	145	22	4	18	155	500	22	47,0	T 016.065	L 016.065	X 016.065
	80	16	350	175	200	138	160	20	8	18	185	600	32	63,0	T 016.080	L 016.080	X 016.080
100	16	380	190	220	158	180	20	8	18	195	600	32	84,0	T 016.100	L 016.100	X 016.100	
PN 25 Flanged ends raised face*	15	25	170	85	95	45	65	16	4	14	90	205	16	8,9	VNF T 025.015	VNF L 025.015	VNF X 025.015
	20	25	195	97,5	105	58	75	18	4	14	85	300	16	10,8	T 025.020	L 025.020	X 025.020
	25	25	220	110	115	68	85	18	4	14	95	350	22	14,0	T 025.025	L 025.025	X 025.025
	32	25	240	120	140	78	100	18	4	18	100	350	22	19,2	T 025.032	L 025.032	X 025.032
	40	25	285	142,5	150	88	110	18	4	18	110	350	22	28,0	T 025.040	L 025.040	X 025.040
	50	25	290	145	165	102	125	20	4	18	145	500	22	35,0	T 025.050	L 025.050	X 025.050
65	25	310	155	185	122	145	22	8	18	155	500	22	47,0	T 025.065	L 025.065	X 025.065	
PN 40 Flanged ends raised face*	15	40	170	85	95	45	65	16	4	14	90	205	16	8,9	VNF T 040.015	VNF L 040.015	VNF X 040.015
	20	40	195	97,5	105	58	75	18	4	14	85	300	16	10,8	T 040.020	L 040.020	X 040.020
	25	40	220	110	115	68	85	18	4	14	95	350	22	14,0	T 040.025	L 040.025	X 040.025
	32	40	240	120	140	78	100	18	4	18	100	350	22	19,2	T 040.032	L 040.032	X 040.032
	40	40	285	142,5	150	88	110	18	4	18	110	350	22	28,0	T 040.040	L 040.040	X 040.040
	50	40	290	145	165	102	125	20	4	18	145	500	22	35,0	T 040.050	L 040.050	X 040.050

	PN	DN	Type 1	Type 2
Body	10-40	15-20	Steel	Steel
		25-100	Spheroidal cast iron	Spheroidal cast iron
		15-20	Brass, hard chromed	Brass, hard chromed
Ball	10-40	25-100	Spheroidal cast iron, hard chromed	Spheroidal cast iron, hard chromed
Dichtungen	10-40	15-100	NBR	PTFE

**Please quote order-no. and type:
VNF (T/L/X) XXX.XXX / Type (1 o. 2)**



- The handle is included.
- Ball valves with PTFE seals are normally delivered with FPM O-rings.
- Special designs upon request.

* Further types of flange gasket facings on demand