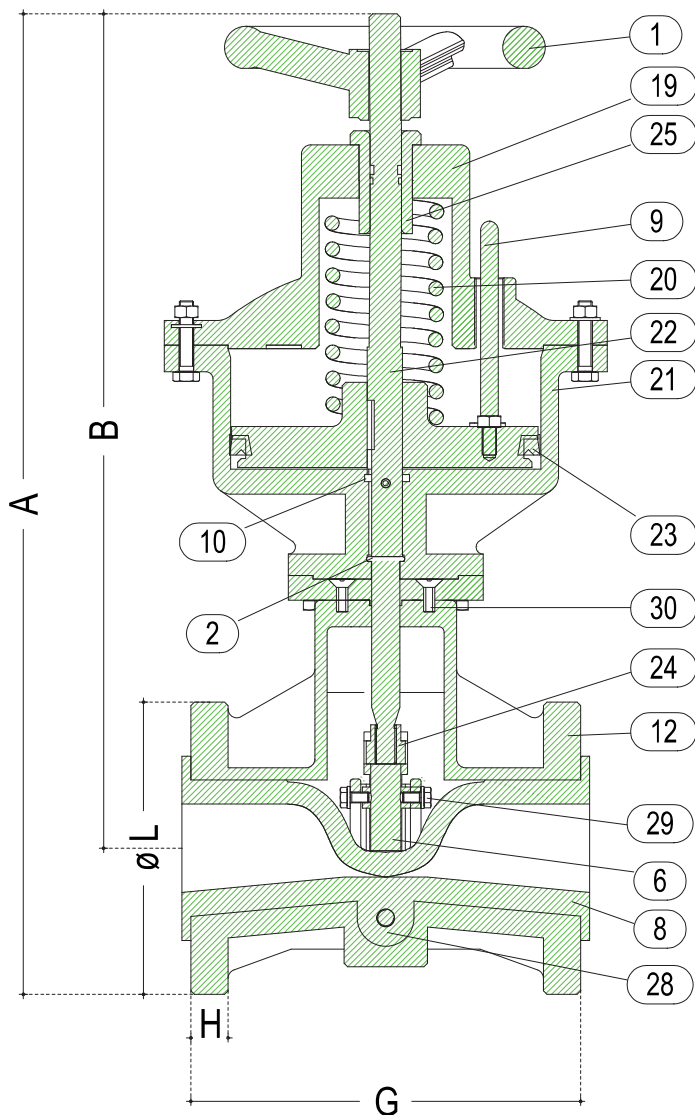
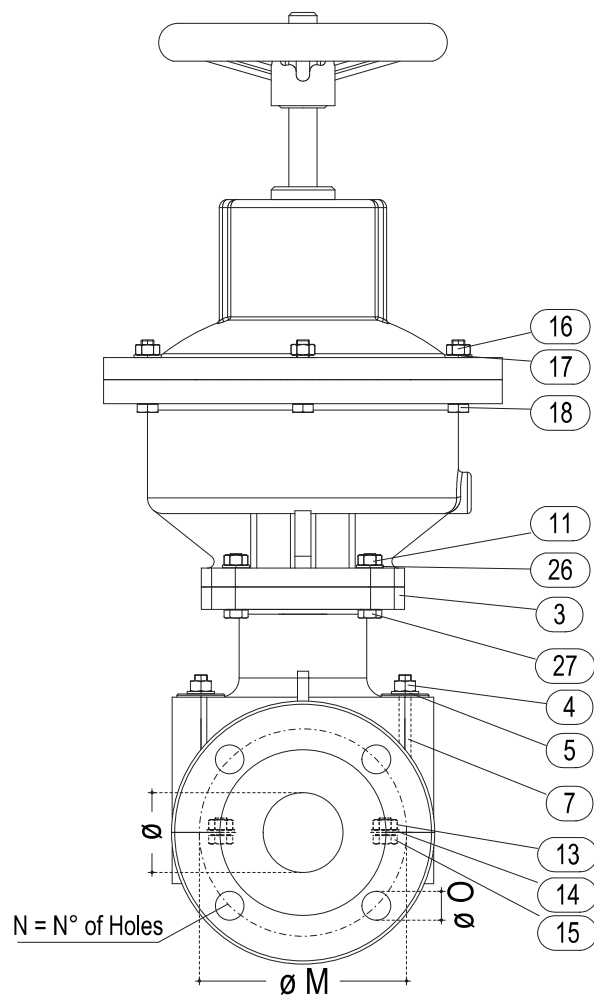


# Model GS27

## PINCH VALVES



### DETAILS

1	WHEEL
2	OR
3	SUPPORT
4	HEXAGON NUT
5	WASHER
6	PLUG
7	TIE ROD
8	SLEEVE
9	GUIDE PIN
10	GASKET
11	HEXAGON NUT
12	VALVE UPPER-LOWER BODY
13	HEXAGON NUT
14	WASHER
15	HEXAGON BOLT
16	HEXAGON NUT
17	WASHER
18	HEXAGON BOLT
19	COVER
20	SPRINGS
21	CYLINDER
22	PISTON
23	"V" GASKET
24	BRONZE NUT
25	BUSHING AND COVER
26	WASHER
27	HEXAGON BOLT
28	SCREW SOCKET
29	CLAMPING SCREW FOR BUSHING AND WASHER
30	HEXAGON SOCKET HEAD COUNTERSUNK HEAD SCREWS