



INSTRUM

BINDERGROUP



LOW PRESSURE REDUCER LPR®

in-line design
DN 15

Application

The self contained low pressure reducing regulators and back pressure regulators controls pressure in mbar range. Applications are for inert gas tank blanketing, reactors, centrifuges and agitating tubs with inert gas such as nitrogen. The regulators are designed to meet requirements in the chemical, pharmaceutical and biotechnology industries and are particularly corrosion resistant and reliable.

Design

The large proportioned, spring-loaded diaphragm actuator with directly-controlled valve seat ensures precise control with low hysteresis. The regulators function without auxiliary power supply. High overpressure strength and safe regulator function is achieved by means of the supported diaphragm with long spindle guide. The regulator has a low degree of clearance volume and is self-draining, as far as is possible.

Description

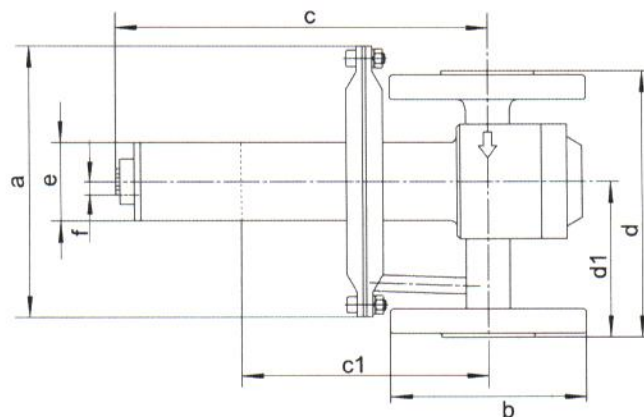
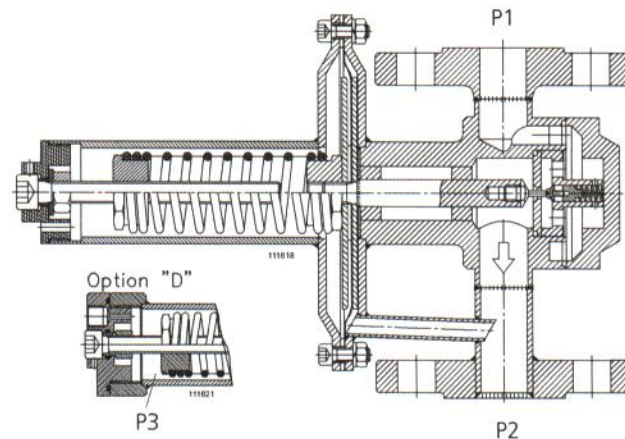
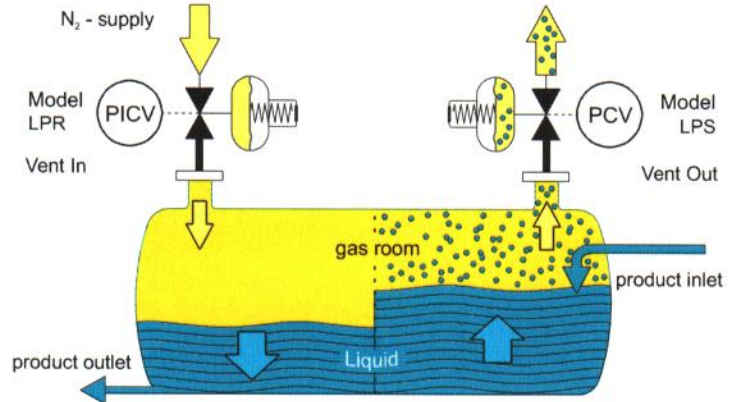
The components coming in contact with the product are manufactured from CrNiMo steel 1.4435 / 1.4404. The diaphragm and seals are made of PTFE and the regulator seat is made of perfluoroelastomer (FFKM – Isolast®, Chemraz®, Kalrez®) as standard, or fluoroelastomer (FKM: Viton®). These materials guarantee high corrosion resistance and excellent sealing, even at zero flow. The design has a low degree of clearance volume and is self-draining (suitable for CIP). On request, we can supply regulators in Hastelloy, Tantal or plastic etc. with the appropriate certification.

The surface finish for the stainless-steel version is better than Ra 1.6 for housing parts in contact with the medium, better than Ra 0.8 for internal functional parts and better than Ra 3.2 for the outer housing.

Technical data

Nominal diameter:	DN 15 / 1/2"
Regulating range P2:	L.. to 500 mbar M.. to 5 bar D (pressure difference) to 4 bar = P3
Inlet pressure P1:	max. 16 bar
Vakuum proof	
Pressure connections:	Flange / thread (Special version available on request)
Weight:	3,7 kg to 5,3 kg
Temperature:	-20 ° to +120 °C for EPDM (Dependent on pressure conditions) -20 ° to +130 °C for FKM -20 ° to +160 °C for PTFE
Testing and inspection:	According to IEC 60534-4
Pressure tightness:	Bubble tight sealing category VI

Section drawing for Hastelloy model and regulating pressure range "M" available on request.



Model dimensions	pressure connection	a	b	c	d	d1	e	f Option "D"	c1 factory setting P2
LPRI-015...-L(M)...	DIN DN15 PN16 ANSI 1/2" 150 lbs	∅ 132	∅95 (DIN)	180	130	75	∅38 (M36)	G 1/8" female thread	122
LPRI-015...-M03(M05)	BSP 1/2" female thread NPTF 1/2" female thread	∅ 115	∅89 (ANSI)	220			∅54 (M48)	G 1/4" female thread	---



INSTRUM

BINDERGROUP



MODEL CODE LPR® I

in-line design
DN 15

1		2			3		4		5		6		7
Design		Nominal diameter DN/ pressure connection			Flow capacity		Regulating pressure range		Material		Options		Specials
LP	R I -	015 . -			..		- ...		- ...		- . -		Xn

2 Nominal diameter DN/ Pressure connection

D	Flange:	DIN EN 1092-1, B1 DN 15 PN 16
A	Flange:	ANSI B 16.5, ½" 150 lbs
B	Thread:	½" BSP female thread
N	Thread:	½" NPTF female thread

3 Flow capacity

04	Seat	ø4 mm
07	Seat	ø7 mm
12	Seat	ø12 mm

4 Regulating pressure range P2 (mbar)

L02	4 - 20	M01	160 - 1000
L10	5 - 200	M03	500 - 3000
L20	8 - 400	M05	800 - 5000
L50	120 - 850		

5 Material (only the same colours can be combined)

Housing/ internal components	Seat seal	Diaphragm/ Regulating range
S 1.4435 (1.4404)/ 1.4435 (1.4404)	K FFKM	P PTFE L..
G ¹ 1.4435 (1.4404)/ HC 22 (2.4602)	V FKM	E EPDM L.. M..
H ¹ HC 22 (2.4602)/ HC 22 (2.4602)	E EPDM	G PTFE-glass fibre reinforced / L..
	C FFKM con- forms to FDA	V FKM M..
		H HC 276 M..

¹ Not available with seat 04.

Example: Housing/internal components with material code "G" or "H" (red) are only combined with seat of type "K" or "C" and with diaphragm type "P" or "G".

Housing/internal components with material code "S" can be combined with all seat and diaphragm materials (yellow).

6 Options

D	Differential pressure connection
E	NPT ¼" external impulse connection
G	Pressure gauge connection G¼

7 Specials

X0	If you require, for example, ATEX, PED, special connections, external control, rain hood, a fixed setting for P2 ..., please enter an X in this field with the number of desired Specials. Each of the specials must be described in writing.
X1	
X2	
.	
.	
Xn	For special versions and certifications, please contact the manufacturer or the appropriate sales representative.

Flow table [flow quantities in Nm³/h]

P1 [bar rel.]	0.16	0.25	0.40	0.65	1.0	1.6	2.5	4	5	Seat size
10	4	5	6,5	8	10	13	18	25	30	ø4 mm
	6,2	9	10	12,5	16	21	28			ø7 mm
	8	12,5	16	21	26	36				ø12 mm
100	4	5	6,5	8	10	13	18	25	30	ø4 mm
	6,6	9	10,5	14	18	24	31			ø7 mm
	12	15	19,5	22	31	42				ø12 mm

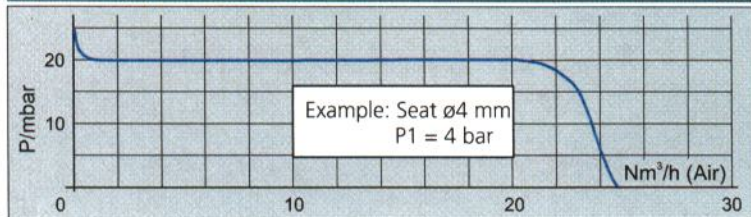
The flow capacity is the same in the supercritical operating range (guide value: $P2 < 0.5 \times P1$). It is recommended to design for operation at a maximum of 70% of the flow values. If the diaphragm is designed in M / HC, the flow is reduced by 50 %.

P1 = supply pressure P2 = regulating pressure

Dependency on inlet pressure (per -1 bar / +1 bar change in P1)

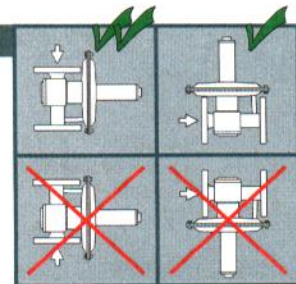
Seat ø4 mm	- 2,5 mbar / + 2,5 mbar	Seat ø12 mm	- 15 mbar / + 15 mbar
Seat ø7 mm	- 6 mbar / + 6 mbar		

Pressure / flow characteristic



Installation

The preferred installation position is with vertical diaphragm housing and horizontal input. Pressure fixed unit is adjusted in this position. The output pressure increases by approximately 2 mbar for installation with horizontal diaphragm housing. The installation position must be specified.



Mounting and start up

- Before connecting the pressure regulator please make sure
 - 1.1 to compare the plant data with the name plate
 - 1.2 the values marked on the name plate are the values measured during our functional inspection
 - 1.3 to check the corrosion resistance of the material
 - 1.4 to blow out impurities in the pipes
 - 1.5 to note the flow direction – it is marked with an arrow on the housing
 - 1.6 to open inlet pipes slowly.
- LPRI adjust reduced pressure: (Relative pressure)
 - 2.1 set a light flow (1Nm³/h). Set the pressure +/- as required using a hexagonal wrench
 - 2.2 the setting can be secured with a seal.
- Adjust the LPRI differential pressure (-D) with the servo-regulator
 - 3.1 if the D-connection is pressurised with the servo-pressure, the working pressure is added by the servo-pressure.