

# COMBO-D-LUX

Digital timer controlled condensate drain

## PRODUCT FEATURES

The COMBO-D-LUX® is an all-in-one digital timer drain with an integrated ball valve and strainer.

The unit offers true digital time cycle programming luxury.

The COMBO-D-LUX® saves installation time and protects against large particles found in condensate, due to the integrated ball valve and strainer.

The unit can be shut off from the compressed air system enabling easy and safe maintenance work to be carried out.



Digital programming

## COMMERCIAL BENEFITS

- Wide range of time settings from milliseconds to hours.
- Suitable for all compressed air systems up to 16 bar.
- Dual thread inlet (1/2" and 1/4").
- 12 – 240 VAC/DC voltage options are available.
- Successful draining of all types of condensate (also heavily emulsified condensate).
- Sectional system shut-off during maintenance due to integrated ball valve.
- Operating pressure up to 16 bar.
- Private labelling possibilities.

## TECHNICAL ADVANTAGES

- Digital display with countdown timer and operating status.
- Push button control.
- Application environment up to IP65 (NEMA 4).
- Integrated ball valve strainer.
- Cannot be air-locked.
- Direct acting valve assembly, ensuring consistent discharge operation.
- Easy installation and maintenance.

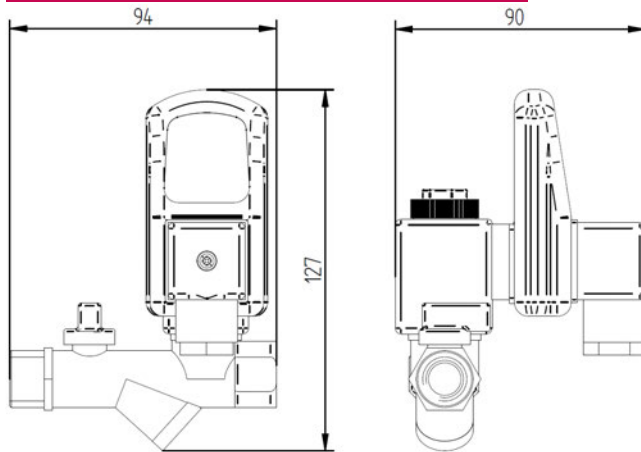
### OPPORTUNITY:

Carrying out regular routine draining will reduce contaminations in the compressed air system and will keep production schedules consistent. Simply install a reliable condensate drain.

# COMBO-D-LUX

Digital timer controlled condensate drain

## DIMENSIONS MM



## SPECIFICATIONS

### TIMER

Interval time	0.01 sec. – 99 hours, adjustable
Discharge time	0.01 sec. – 99 hours, adjustable
Supply voltage options	12 - 240 VAC/DC, 50/60 Hz
Current consumption	4mA maximum
Operating temperature	-40° C to +60° C
Environmental protection	IP 65, NEMA 4 when installed
Housing material	ABS plastic FR grade
Connection	DIN 43650A ISO 440/6952
Indicators	1 LED (yellow) indicating ON

### VALVE

Type	2/2 way direct acting
In/out ports	1/2" (dual inlet port 1/2" & 1/4") BSP or NPT
Max. pressure	16 bar
Min/Max temp.	2° C/55° C ambient
Media temp.	Max. 90° C
Valve body	Forged brass, orifice 4.0 mm
Supply voltage options	12 - 380 VAC/DC, 50/60 Hz (100% ED)
Coil Insulation Grade	H-grade
Valve seal	FPM (Viton)
Environmental Protection	IP 65

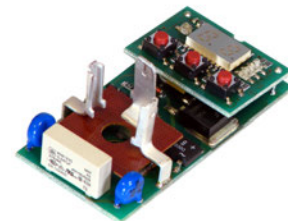
See coil for correct voltage      Voltage tolerance +/- 10%



COMBO valve with ball valve and strainer



Digital display



Digital processor



Dual inlet thread

**JORC is ISO 9001:2008 Certified**

Information provided herewith is believed to be accurate and reliable. However, no responsibility is assumed for its use or for any infringement of patents or rights of others, which may result from its use. In addition, JORC reserves the right to revise information without notice and without incurring any obligation

**JORC Industrial BV**  
 Pretoriastraat 28  
 NL-6413 NN Heerlen  
 The Netherlands

Tel +31 45 524 24 27  
 Fax +31 45 524 19 79  
 e-mail [info@jorc.nl](mailto:info@jorc.nl)  
 Web [www.jorc.eu](http://www.jorc.eu)

