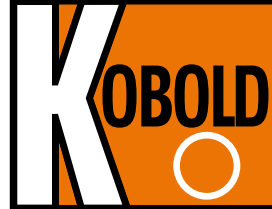




Zertifiziertes
QM-System
DIN EN ISO 9001
Zertifikat-Nr. 01017

Sight Glass with Rotor

threaded connection · for liquids



measuring
·
monitoring
·
analysing

DAR-1



- p_{\max} : 40 bar; t_{\max} : 260 °C
- Connection:
G 1/4 ... G 2,
1/4" NPT ... 2" NPT
- Material:
grey cast iron, cast steel,
stainless steel

96



KOBOLD companies worldwide:

ARGENTINA, AUSTRALIA, AUSTRIA, BELGIUM, BULGARIA, CANADA, CHILE, CHINA, COLOMBIA, CZECHIA, EGYPT, FRANCE, GERMANY, GREAT BRITAIN, HUNGARY, INDIA, INDONESIA, ITALY, MALAYSIA, MEXICO, NETHERLANDS, PERU, POLAND, REPUBLIC OF KOREA, ROMANIA, SINGAPORE, SPAIN, SWITZERLAND, TAIWAN, THAILAND, TUNISIA, TURKEY, USA, VIETNAM

KOBOLD Messring GmbH
Nordring 22-24
D-65719 Hofheim/Ts.
Head Office:
+49(0)6192 299-0
+49(0)6192 23398
info.de@kobold.com
www.kobold.com

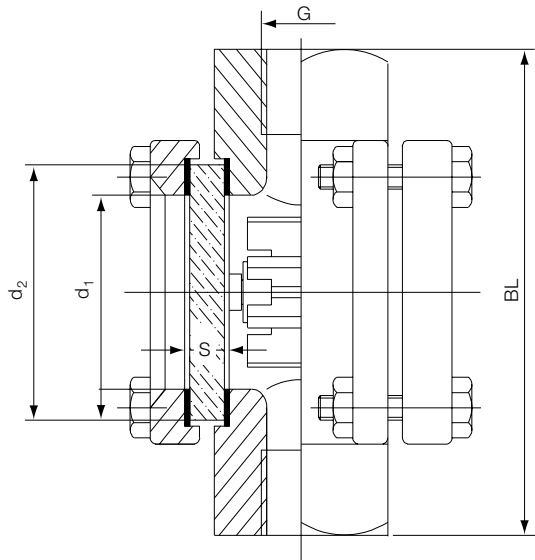


Sight Glass with Rotor • threaded connection Model DAR-1

Materials / Mounting position

	DAR-11	DAR-13	DAR-12
Rotor:	plastic (up to 120 °C); Option 'R' PTFE up to 260 °C (Nominal size 2": PTFE standard)		
Housing*:	grey cast iron 0.6025	cast steel 1.0619	stainless steel 1.4408
Cover plates:	grey cast iron 0.6025	C 22.8	stainless steel 1.4301
Sight glass:	soda-lime glass DIN 8902 (up to 150 °C) Option: borosilicate glass DIN 7080 (up to 260 °C)		
Screws:	zinc plated steel		stainless steel
Sealing:	graphite (PTFE or other on request)		
Mounting position:	universal		
Operating pressure:	16 bar (Option 25 bar or 40 bar for DAR-12... and DAR-13...)		

* Up to 1": inlet with half face plate; 1 ¼" to 2": drip tube



Dimensions (Material grey cast iron) for pressure rating PN 16

G	BL	d1	d2	Glass thickness (S) at PN 16 [mm]	Approx. weight DAR-11... [kg]
G ¼ G ¾ G ½	100	32	45	10	2.2
G ¾ G 1	120	45	63	10	3.5
G 1 ¼ G 1 ½	160	65	80	12	7.0
G 2	180	80	100	15	8.6

Dimensions (Material cast steel or stainless steel) for pressure rating PN 16 (PN 25 / PN 40 on request)

G	BL	d1	d2	Glass thickness (S) at PN 16 [mm]	Approx. weight DAR-12... DAR-13... [kg]
G ¼ G ¾ G ½	100	32	45	10	2.2
G ¾ G 1	120	45	63	10	3.5
G 1 ¼ G 1 ½	160	65	80	12	7.0
G 2	230	80	100	15	10.2

Order Details (Example: DAR-1101H R08)

Nominal size	DAR-11	DAR-13	DAR-12	Connection		Option
	Grey cast iron	Cast steel	Stainless steel	G-thread	NPT-thread*	
¼"	DAR-1101H..	DAR-1301H..	DAR-1201H..	R08	N08	Please add option letter to order number Option 'B' = borosilicate glass, graphite-sealing Option 'R' = PTFE-Rotor Option 'P' = 25 bar for DAR-12.. and DAR-13.. Option 'Q' = 40 bar for DAR-12.. and DAR-13..
¾"	DAR-1102H..	DAR-1302H..	DAR-1202H..	R10	N10	
½"	DAR-1103H..	DAR-1303H..	DAR-1203H..	R15	N15	
¾"	DAR-1104H..	DAR-1304H..	DAR-1204H..	R20	N20	
1"	DAR-1105H..	DAR-1305H..	DAR-1205H..	R25	N25	
1 ¼"	DAR-1106H..	DAR-1306H..	DAR-1206H..	R32	N32	
1 ½"	DAR-1107H..	DAR-1307H..	DAR-1207H..	R40	N40	
2"	DAR-1108H..	DAR-1308H..	DAR-1208H..	R50	N50	

* Not for DAR-11 grey cast iron instruments



Sight Glass with Rotor

flanged connection · for liquids



measuring
·
monitoring
·
analysing

DAR-2



- p_{\max} : 40 bar; t_{\max} : 260 °C
- Connection:
DN 15 ... DN 200
ANSI flange on request
- Materials:
grey cast iron, cast steel,
stainless steel

gs



KOBOLD companies worldwide:

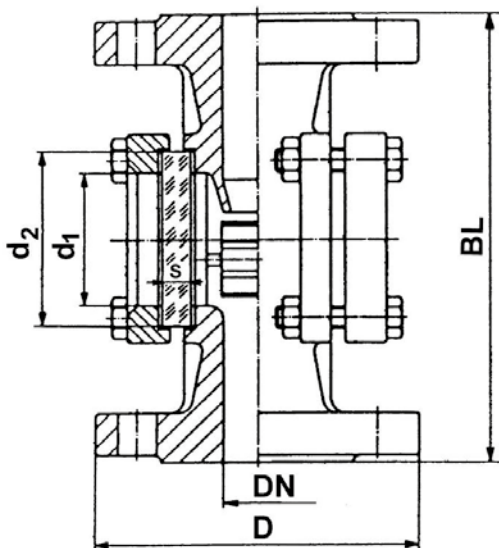
ARGENTINA, AUSTRALIA, AUSTRIA, BELGIUM, BULGARIA, CANADA, CHILE, CHINA, COLOMBIA, CZECHIA, EGYPT, FRANCE, GERMANY, GREAT BRITAIN, HUNGARY, INDIA, INDONESIA, ITALY, MALAYSIA, MEXICO, NETHERLANDS, PERU, POLAND, REPUBLIC OF KOREA, ROMANIA, SINGAPORE, SPAIN, SWITZERLAND, TAIWAN, THAILAND, TUNISIA, TURKEY, USA, VIETNAM

KOBOLD Messring GmbH
Nordring 22-24
D-65719 Hofheim/Ts.
Head Office:
+49(0)6192 299-0
+49(0)6192 23398
info.de@kobold.com
www.kobold.com

Materials / Mounting position

	DAR-21	DAR-23	DAR-22
Rotor:	up to DN 40: plastic (up to 120 °C); Option 'R' PTFE up to 260 °C / from DN 50: PTFE		
Housing:	grey cast iron 0.6025	cast steel 1.0619	stainless steel 1.4408
Cover plates:	grey cast iron 0.6025 / cast steel 1.0619	cast steel 1.0619	stainless steel 1.4301 / 1.4408
Sight glass:	soda-lime glass DIN 8902 (up to 150 °C); Option: borosilicate glass DIN 7080 (up to 280 °C)		
Screws:	zinc plated steel		stainless steel
Sealing:	graphite (PTFE or others on request)		
Mounting position:	universal		
Operating pressure:	16 bar (option 25 bar or 40 bar for DAR-22... and DAR-23...)		

Dimensions for pressure rating PN 16



DN	D [mm]	BL [mm]	d1 [mm]	d2 [mm]	Glass thickness (S) at PN 16 [mm]	Approx. weight [kg]	
						DAR-21..	DAR-22.. / DAR-23..
15	95	130	32	45	10	3.6	3.6
20	105	150	32	45	10	4.0	4.0
25	115	160	48	63	10	6.0	6.3
32	140	180	48	63	10	7.0	7.4
40	150	200	65	80	12	10.0	10.6
50	165	230	80	100	15	13.2	14.4
65	185	290	80	100	15	22.1	24
80	200	310	100	125	20	29.9	31.6
100	220	350	125	150	25	38.4	41.7
125	250	400	150	175	25	47.0	47.6
150	285	480	175	200	25*	59.0	67.6
200	340	600	175	200	25*	98.0	118.0

* With soda-lime glass only PN 10, PN 16 with option 'B' possible

Order Details (Example: DAR-2201H F15)

Nominal diameter	DAR-21	DAR-23	DAR-22	Connection		Option
	Grey cast iron	Cast steel	Stainless steel	Flange EN 1092-1	ANSI flange (only on request)	
	Soda-lime glass, graphite-sealing, plastic rotor					
	Please add option letter to order number					
15	DAR-2101H..	DAR-2301H..	DAR-2201H..	F15	A15	Option 'B' = borosilicate glass, graphite-sealing Option 'R' = PTFE-Rotor Option 'P' = 25 bar for DAR-22.. and DAR-23.. Option 'Q' = 40 bar for DAR-22.. and DAR-23...
20	DAR-2102H..	DAR-2302H..	DAR-2202H..	F20	A20	
25	DAR-2103H..	DAR-2303H..	DAR-2203H..	F25	A25	
32	DAR-2104H..	DAR-2304H..	DAR-2204H..	F32	A32	
40	DAR-2105H..	DAR-2305H..	DAR-2205H..	F40	A40	
50	DAR-2106H..	DAR-2306H..	DAR-2206H..	F50	A50	
65	DAR-2107H..	DAR-2307H..	DAR-2207H..	F65	A65	
80	DAR-2108H..	DAR-2308H..	DAR-2208H..	F80	A80	
100	DAR-2109H..	DAR-2309H..	DAR-2209H..	F1H	A1H	
125	DAR-2110H..	DAR-2310H..	DAR-2210H..	F1Z	A1Z	
150**	DAR-2111H..	DAR-2311H..	DAR-2211H..	F1F	A1F	
200**	DAR-2112H..	DAR-2312H..	DAR-2212H..	F2H	A2H	

** With soda-lime glass only PN 10, PN 16 with option 'B' possible