



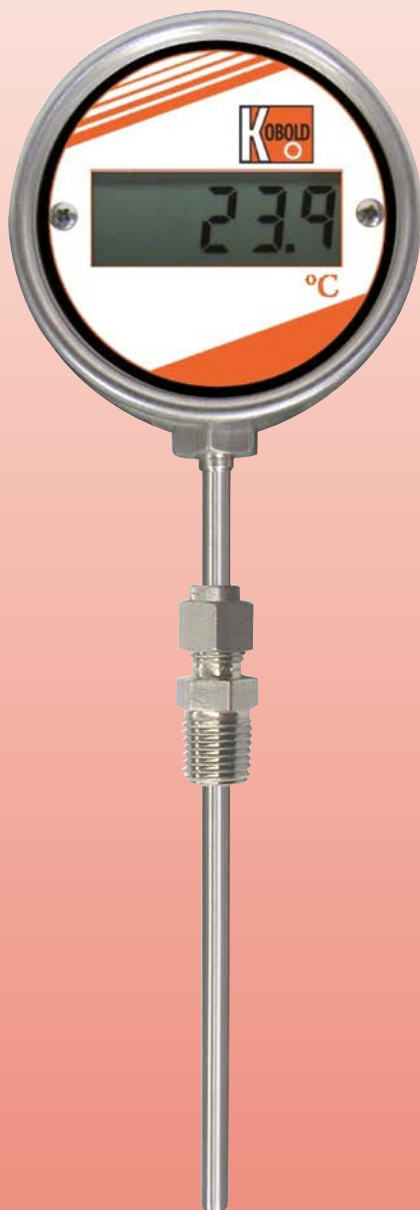
Digital Thermometer

Battery Powered

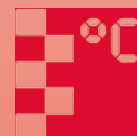


measuring
•
monitoring
•
analysing

DTB



- Large 4-digit LCD display
- Battery powered, life up to 5 years
- High accuracy, microprocessor based
- Factory set display in °C
- 152 mm probe lengths
- G $\frac{1}{4}$... G $\frac{1}{2}$, $\frac{1}{4}$ " NPT ... $\frac{1}{2}$ " NPT process connection accessory options



T2

KOBOLD companies worldwide:

ARGENTINA, AUSTRALIA, AUSTRIA, BELGIUM, BULGARIA, CANADA, CHILE, CHINA, COLOMBIA, CZECHIA, EGYPT, FRANCE, GERMANY, GREAT BRITAIN, HUNGARY, INDIA, INDONESIA, ITALY, MALAYSIA, MEXICO, NETHERLANDS, PERU, POLAND, REPUBLIC OF KOREA, ROMANIA, SINGAPORE, SPAIN, SWITZERLAND, TAIWAN, THAILAND, TUNISIA, TURKEY, USA, VIETNAM

KOBOLD Messring GmbH
Nordring 22-24
D-65719 Hofheim/Ts.
Head Office:
+49(0)6192 299-0
+49(0)6192 23398
info.de@kobold.com
www.kobold.com



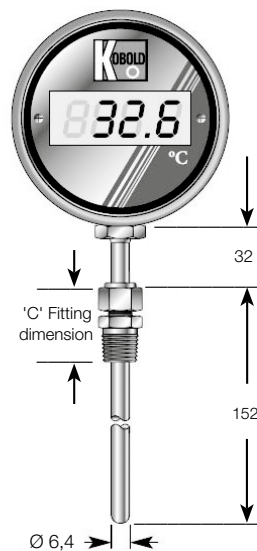
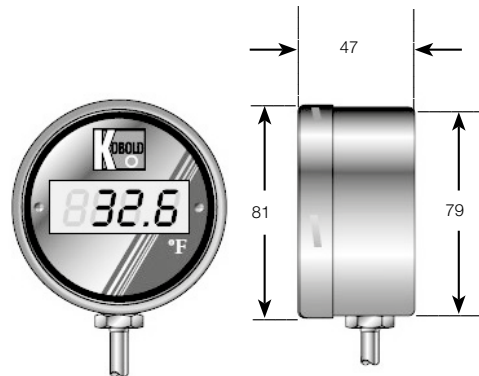
Description

The KOBOLD DTB is a battery powered, LCD digital thermometer. It is a step above the competition in providing accurate and reliable temperature indication. The rugged IP67 housing and all stainless steel design offers protection against both moisture and dust. The DTB is an ideal replacement for bi-metal, liquid bulb, and glass thermometers where power is not available. The LCD display is factory set to units of °C. With 0.1° resolution, the DTB eliminates the guesswork out of reading dials and mercury columns. Powered by two high performance batteries, the DTB will typically provide a minimum of five years of continuous operation before requiring battery replacement.

Technical Details

- Sensing element: RTD, Type Pt1000, Class A
- Meas. temp. ranges: -50 ... 200 °C
- Accuracy: $\pm(0.2 + 0.002 \times [T])$ °C, factory
[T] = absolute value of temperature
- Refresh rate: 3 seconds
- Display: 4-digit LCD, 6.35 mm (1/2") high
- RFI effect: 1% or less typical
- Temp. effect: <0.01% FS/°C
- Ambient temp. range: 0 ... 50 °C (32 ... 122 °F)
- Storage temp. range: -20 ... 70 °C (-4 ... 158 °F)
- Maximum pressure: 500 PSIG (on probe)
- Housing material: 316 stainless steel
- Probe material: 316 stainless steel standard
- Weight: 350 g
- Protection: NEMA 4X/IP67
- Power: (2) 3.6 V batteries
- Battery life: 5 years typical in continuous mode

Dimensions [approx. in mm]



Note: For exact immersion depth, subtract length of fitting "C" from probe length

Digital Thermometer Ordering Details

DTB-060C	= -50°C ... 200°C with 152 mm probe length, no fitting
----------	--

Accessory Fitting Options

DTB-K2R08	6.4 mm 1.4404 (316L SS) bore through compression fitting x G 1/4 male (C = 38.5 mm)
DTB-K2R15	6.4 mm 1.4404 (316L SS) bore through compression fitting x G 1/2 male (C = 46 mm)
DTB-K2N08	6.4 mm 1.4404 (316L SS) bore through compression fitting x 1/4" NPT male (C = 38 mm)
DTB-K2N15	6.4 mm 1.4404 (316L SS) bore through compression fitting x 1/2" NPT male (C = 44.5 mm)