



All-Metal Flow Meters and Switches for liquids



measuring
•
monitoring
•
analysing

SMV



- Measuring range:
0.1 - 1.0 ... 10 - 110 l/min
water
- Accuracy:
±5% of full scale
- p_{\max} : 350 bar; t_{\max} : 100 °C
- Connection:
G 1/4 ... G 1 1/4 female
- Material:
brass or stainless steel

S2



KOBOLD companies worldwide:

ARGENTINA, AUSTRALIA, AUSTRIA, BELGIUM, BULGARIA, CANADA, CHILE, CHINA, COLOMBIA, CZECHIA, EGYPT, FRANCE, GERMANY, GREAT BRITAIN, HUNGARY, INDIA, INDONESIA, ITALY, MALAYSIA, MEXICO, NETHERLANDS, PERU, POLAND, REPUBLIC OF KOREA, ROMANIA, SINGAPORE, SPAIN, SWITZERLAND, TAIWAN, THAILAND, TUNISIA, TURKEY, USA, VIETNAM

KOBOLD Messring GmbH
Nordring 22-24
D-65719 Hofheim/Ts.
Head Office:
+49(0)6192 299-0
+49(0)6192 23398
info.de@kobold.com
www.kobold.com



Description

The proven KOBOLD flow meters and switches model SMV-... are based on the principle of the well-known float type flow meters except for the conventional tapering measuring tube.

These patented instruments are provided instead with a cylindrical flow tube with conical slots around the periphery.

This eliminates the usual problems of guiding the cylindrical float within a tapering measuring glass. The novel design including the provision of an appropriately dimensioned annular gap of constant width between the float and the flow tube has enabled the sensitivity to dirt to be considerably reduced.

The float comprises permanent magnets actuating a bistable reed contact external to the flow circuit, that is, the flowing medium is hermetically separated from the electrical contact. In addition it is embedded in a height-adjustable switch housing thus ensuring that the contact cannot be damaged even by an aggressive atmosphere.

As the medium enters the instrument the float rises. Once its magnetic field reaches the contact tips of the reed switch the contact closes. As the flow increases the float rises further until it reaches its stop. This prevents the float from going beyond the contact range of the magnetic operating tube, that is, the contact remains closed thus ensuring bistable switching.

With the models SMV-2... and SMV-3... the magnetic field also activates an external, that is, hermetically separated indicator, as a result of which flows are measured accurately even at high operating pressures.

The magnetic field and the indicator are designed so as to ensure that the pointer follows even abrupt changes in flow rate.

Applications

- Lubrication circuits
- Paper-making machines
- Machine tools
- Glass-melting tanks
- Cooling circuits
- Welding machines
- Induction furnaces
- Pumps

Technical Details

Housing:	SMV-x1...: brass, Ms 58 SMV-x2...: stainless steel, 1.4301
Connections:	SMV-x1...: brass, Ms 58 SMV-x2...: stainless steel, 1.4301
Float:	SMV-x1...: brass, Ms 58 SMV-x101: PP SMV-x2...: stainless steel, 1.4301 SMV-x201: PVDF
Nozzle:	SMV-x1...: brass, Ms 58 SMV-x2...: stainless steel, 1.3955
Seals:	SMV-x1...: NBR SMV-x2...: FPM
Max. temperature:	100 °C SMV-..01...: 70 °C
Max. pressure:	SMV-..01...: 16 bar SMV-x1...: 250 bar SMV-x2...: 350 bar
Installation position:	vertical, flow in the upward direction
Accuracy:	± 5% of full scale
Repeatability:	≤ 1%
Contacts with SMV-1..., SMV-3...	
Electrical connection:	2 m cable (SMV-...F0...) with all other types: connector DIN EN 175301-803
Electrical switching values:	N/O contact max. 250V _{AC/DC} /1.5A/100W/100VA changeover contact max. 250V _{AC/DC} /1A/30W/60VA N/O contact and changeover contact (cCSAus) max. 230V _{DC} /0.26A/60W, 60V _{DC} /1A/60W, max. 240V _{AC} /0.42A/100W, 100V _{AC} /1A/100W N/O contact (EX): II 2G Ex mb IIC T6 Gb II 2D Ex mb IIIC T80°C Db IP67 max. 250V _{AC} /1.5A/100VA
Ex-range:	ATEX-zone 1 as »simple apparatus« or with N/O contact Ex
Protection:	IP 65 (electr. contact) IP 54 (side indicator)



Order Details

Flow switches with 1 contact model: SMV-1... (Example: SMV-1101H R0 R08)

Measuring range l/min water	Pressure loss Δ P (bar)	Float according to version		Brass	Stainless steel	Contact	Connection female thread	
		Brass	St. steel					
0.1 ... 1	0.02	PP	PVDF	SMV-1101H...	SMV-1201H...	..R0.. = 1 N/O contact		
0.15 ... 1.7	0.04	brass, nickel-pl.	st. steel	SMV-1103H...	SMV-1203H...	..U0.. = 1 changeover contact		
1 ... 4.5	0.04	st. steel	st. steel	SMV-1105H...	SMV-1205H...	..F0.. = 1 Ex N/O contact		
1 ... 7	0.11	brass, nickel-pl.	st. steel	SMV-1107H...	SMV-1207H...	..C0.. = 1 N/O contact (cCSAus)	..R08 = G ¼	..N08 = ¼" NPT
1 ... 9	0.12	st. steel	st. steel	SMV-1109H...	SMV-1209H...	..D0.. = 1 changeover contact (cCSAus)	..R15 = G ½	..N15 = ½" NPT
2 ... 14	0.18	st. steel	st. steel	SMV-1111H...	SMV-1211H...	..RR.. = 2 N/O contact		
2.5 ... 20*	0.06	brass, nickel-pl.	st. steel	SMV-1113H...	SMV-1213H...	..UU.. = 2 changeover contact		
3 ... 45	0.22	brass, nickel-pl.	st. steel	SMV-1115H...	SMV-1215H...	..CC.. = 2 N/O contact (cCSAus)	..R20 = G ¾	..N20 = ¾" NPT
3.5 ... 50	0.4	brass, nickel-pl.	st. steel	SMV-1117H...	SMV-1217H...	..DD.. = 2 changeover contact (cCSAus)	..R25 = G 1	
10 ... 110	0.3	st. steel	st. steel	SMV-1119H...	SMV-1219H...		..R32 = G 1 ¼	..N32 = 1 ¼" NPT

* SMV-...13H...R08: Measuring range 2.5 ... 18 l/min water

Flow meter model: SMV-2... (Example: SMV-2109H 00 R15)

Measuring range l/min water	Pressure loss Δ P (bar)	Float according to version		Brass	Stainless steel	Contact	Connection female thread	
		Brass	St. steel					
0.1 ... 1	0.02	PP	PVDF	SMV-2101H...	SMV-2201H...			
0.15 ... 1.7	0.04	brass, nickel-pl.	st. steel	SMV-2103H...	SMV-2203H...			
1 ... 4.5	0.04	st. steel	st. steel	SMV-2105H...	SMV-2205H...			
1 ... 7	0.11	brass, nickel-pl.	st. steel	SMV-2107H...	SMV-2207H...		..R08 = G ¼	..N08 = ¼" NPT
1 ... 9	0.12	st. steel	st. steel	SMV-2109H...	SMV-2209H...	..00.. = without contact	..R15 = G ½	..N15 = ½" NPT
2 ... 14	0.18	st. steel	st. steel	SMV-2111H...	SMV-2211H...			
2.5 ... 20*	0.06	brass, nickel-pl.	st. steel	SMV-2113H...	SMV-2213H...			
3 ... 45	0.22	brass, nickel-pl.	st. steel	SMV-2115H...	SMV-2215H...		..R20 = G ¾	..N20 = ¾" NPT
3.5 ... 50	0.4	brass, nickel-pl.	st. steel	SMV-2117H...	SMV-2217H...		..R25 = G 1	
10 ... 110	0.3	st. steel	st. steel	SMV-2119H...	SMV-2219H...		..R32 = G 1 ¼	..N32 = 1 ¼" NPT

* SMV-...13H...R08: Measuring range 2.5 ... 18 l/min water

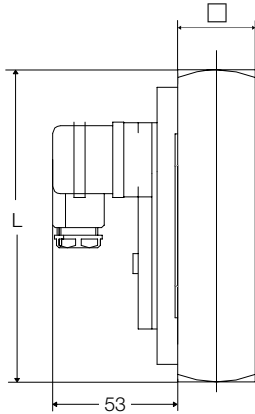
Flow meter and switches with 1 contact model: SMV-3... (Example: SMV-3205H R0 R08)

Measuring range l/min water	Pressure loss Δ P (bar)	Float according to version		Brass	Stainless steel	Contact	Connection female thread	
		Brass	St. steel					
0.1 ... 1	0.02	PP	PVDF	SMV-3101H...	SMV-3201H...	..R0.. = 1 N/O contact		
0.15 ... 1.7	0.04	brass, nickel-pl.	st. steel	SMV-3103H...	SMV-3203H...	..U0.. = 1 changeover contact		
1 ... 4.5	0.04	st. steel	st. steel	SMV-3105H...	SMV-3205H...	..F0.. = 1 Ex N/O contact		
1 ... 7	0.11	brass, nickel-pl.	st. steel	SMV-3107H...	SMV-3207H...	..C0.. = 1 N/O contact (cCSAus)	..R08 = G ¼	..N08 = ¼" NPT
1 ... 9	0.12	st. steel	st. steel	SMV-3109H...	SMV-3209H...	..D0.. = 1 changeover contact (cCSAus)	..R15 = G ½	..N15 = ½" NPT
2 ... 14	0.18	st. steel	st. steel	SMV-3111H...	SMV-3211H...	..RR.. = 2 N/O contact		
2.5 ... 20*	0.06	brass, nickel-pl.	st. steel	SMV-3113H...	SMV-3213H...	..UU.. = 2 changeover contact		
3 ... 45	0.22	brass, nickel-pl.	st. steel	SMV-3115H...	SMV-3215H...	..CC.. = 2 N/O contact (cCSAus)	..R20 = G ¾	..N20 = ¾" NPT
3.5 ... 50	0.4	brass, nickel-pl.	st. steel	SMV-3117H...	SMV-3217H...	..DD.. = 2 changeover contact (cCSAus)	..R25 = G 1	
10 ... 110	0.3	st. steel	st. steel	SMV-3119H...	SMV-3219H...		..R32 = G 1 ¼	..N32 = 1 ¼" NPT

* SMV-...13H...R08: Measuring range 2.5 ... 18 l/min water

Order Details and Dimensions

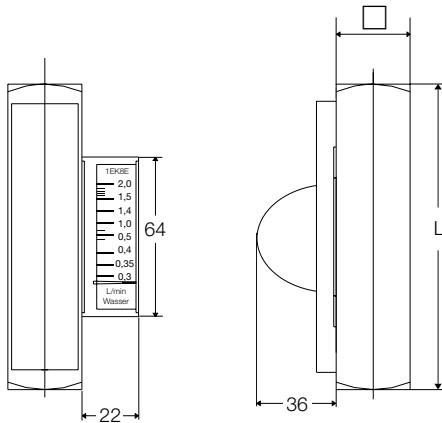
1. Flow switches with 1 contact model: SMV-1...



Model	Square [mm]	Thread G	L [mm]	Weight [kg]
SMV-..01H	30 x 30	¼ (½*)	132 (136*)	0.9
SMV-..03H	30 x 30	¼ (½)	132 (136)	0.9
SMV-..05H	30 x 30	¼ (½)	132 (136)	0.9
SMV-..07H	30 x 30	¼ (½)	132 (136)	0.9
SMV-..09H	30 x 30	¼ (½)	132 (136)	0.9
SMV-..11H	30 x 30	¼ (½)	132 (136)	0.9
SMV-..13H	30 x 30	¼ (½)	132 (136)	0.9
SMV-..15H	40 x 40	¾ (1)	156 (150)	1.7
SMV-..17H	40 x 40	¾ (1)	156 (150)	1.7
SMV-..19H	50 x 50	1 ¼	165	2.9

* with NPT-thread

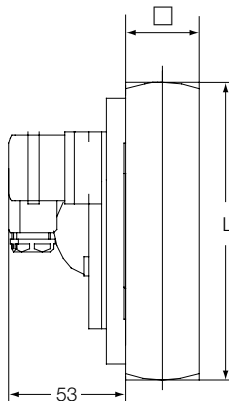
2. Flow meter model: SMV-2...



Model	Square [mm]	Thread G	L [mm]	Weight [kg]
SMV-..01H	30 x 30	¼ (½*)	132 (136*)	0.9
SMV-..03H	30 x 30	¼ (½)	132 (136)	0.9
SMV-..05H	30 x 30	¼ (½)	132 (136)	0.9
SMV-..07H	30 x 30	¼ (½)	132 (136)	0.9
SMV-..09H	30 x 30	¼ (½)	132 (136)	0.9
SMV-..11H	30 x 30	¼ (½)	132 (136)	0.9
SMV-..13H	30 x 30	¼ (½)	132 (136)	0.9
SMV-..15H	40 x 40	¾ (1)	156 (150)	1.7
SMV-..17H	40 x 40	¾ (1)	156 (150)	1.7
SMV-..19H	50 x 50	1 ¼	165	2.9

* with NPT-thread

3. Flow meter and switches with 1 contact model: SMV-3...



Model	Square [mm]	Thread G	L [mm]	Weight [kg]
SMV-..01H	30 x 30	¼ (½*)	132 (136*)	0.9
SMV-..03H	30 x 30	¼ (½)	132 (136)	0.9
SMV-..05H	30 x 30	¼ (½)	132 (136)	0.9
SMV-..07H	30 x 30	¼ (½)	132 (136)	0.9
SMV-..09H	30 x 30	¼ (½)	132 (136)	0.9
SMV-..11H	30 x 30	¼ (½)	132 (136)	0.9
SMV-..13H	30 x 30	¼ (½)	132 (136)	0.9
SMV-..15H	40 x 40	¾ (1)	156 (150)	1.7
SMV-..17H	40 x 40	¾ (1)	156 (150)	1.7
SMV-..19H	50 x 50	1 ¼	165	2.9

* with NPT-thread



All-Metal Flow Meters and Switches for Liquids



measuring
•
monitoring
•
analysing

SMV-..21H/SMV-..22H



- Measuring range:
10 - 180 or 10 - 250 L/min
water
- Accuracy:
± 5 % of full scale
- p_{\max} : 350 bar; t_{\max} : 100 °C
- Connection:
G 1 ¼ or 1 ¼" NPT
- Material:
brass or stainless steel



KOBOLD companies worldwide:

ARGENTINA, AUSTRIA, BELGIUM, BULGARIA, CANADA, CHILE, CHINA, COLUMBIA, CZECHIA, DOMINICAN REPUBLIC, EGYPT, FRANCE, GERMANY, GREAT BRITAIN, HUNGARY, INDIA, INDONESIA, ITALY, MALAYSIA, MEXICO, NETHERLANDS, PERU, POLAND, ROMANIA, SINGAPORE, SOUTH KOREA, SPAIN, SWITZERLAND, TAIWAN, THAILAND, TUNISIA, USA, VIETNAM

KOBOLD Messring GmbH
Nordring 22-24
D-65719 Hofheim/Ts.
Head Office:
+49(0)6192 299-0
+49(0)6192 23398
info.de@kobold.com
www.kobold.com



Description

KOBOLD flow meters and -switches series SMV-...21H and SMV-...22H are equipped with a spring loaded float which is guided within a cylindrical measuring pipe and in opposit to the principals known up to now it is hollow. The medium flows through a circular clearance which is built by the bore of the float and the mandrel bar (conical shaft) inside.

The float comprises permanent magnets actuating a bistable reed contact external to the flow circuit, that is, the flowing medium is hermetically separated from the electrical contact. In addition it is embedded in a height-adjustable switch housing thus ensuring that the contact cannot be damaged even by an aggressive atmosphere.

As the medium enters the instrument the float rises. Once its magnetic field reaches the contact tips of the reed switch the contact closes. As the flow increases the float rises further until it reaches its stop. This prevents the float from going beyond the contact range of the magnetic operating tube, that is, the contact remains closed thus ensuring bistable switching.

With the models SMV-2... and SMV-3... the magnetic field also activates an external, that is, hermetically separated indicator, as a result of which flows are measured accurately even at high operating pressures. The magnetic field and the indicator are designed so as to ensure that the pointer follows even abrupt changes in flow rate.

Applications

- Lubrication circuits
- Paper-making machines
- Machine tools
- Glass-melting tanks
- Cooling circuits
- Welding machines
- Induction furnaces
- Pumps

Technical Details

Housing:	SMV-x1...: brass, Ms 58 SMV-x2...: stainless steel, 1.4301
Pin and o-ring:	SMV-x1...: brass, Ms 58 SMV-x2...: stainless steel, 1.4301
Float:	oxide, ceramic (magnets) and SMV-x1...: brass, Ms 58 SMV-x2...: stainless steel, 1.4301
Spring:	stainless steel, 1.4310
Max. temperature:	100 °C
Max. pressure:	SMV-x1...: 250 bar SMV-x2...: 350 bar
Installation position:	independent
Accuracy:	± 5% of full scale
Repeatability:	≤1%

Contacts with SMV-1..., SMV-3...

Electrical connection: connector DIN EN 175301-803

Electrical switching values:

N/O contact
max. 250V_{AC/DC}/1.5A/100W/100VA
changeover contact
max. 250V_{AC/DC}/1A/30W/60VA
N/O contact and
changeover contact (cCSAus)
max. 230V_{DC}/0.26A/60W,
60V_{DC}/1A/60W,
max. 240V_{AC}/0.42A/100W,
100V_{AC}/1A/100W

Ex-range: ATEX-zone 1 as »simple apparatus«

Protection: IP 65 (electr. contact)
IP 54 (side indicator)



Order Details

Flow switches with 1 contact model: SMV-1... (Example: SMV-1121H R0 R32)

Measuring range L/min water	Pressure loss Δ P (bar)	Float according to version		Brass	Stainless steel	Contact	Connection female thread	
		Brass	St. steel					
10... 180	0.9	brass, nickel-pl.	st. steel	SMV-1121H...	SMV-1221H...	..R0.. = 1 N/O contact ..U0.. = 1 changeover contact ..C0.. = 1 N/O contact (cCSAus) ..D0.. = 1 changeover contact (cCSAus)	..R32 = G 1 ¼	..N32 = 1 ¼ NPT
10... 250	2.0	brass, nickel-pl.	st. steel	SMV-1122H...	SMV-1222H...	..RR.. = 2 N/O contact ..UU.. = 2 changeover contact ..CC.. = 2 N/O contact (cCSAus) ..DD.. = 2 changeover contact (cCSAus)	..R32 = G 1 ¼	..N32 = 1 ¼ NPT

Flow meter model: SMV-2... (Example: SMV-2121H 00 R32)

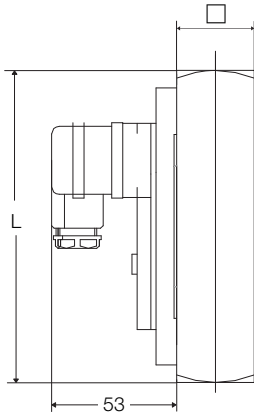
Measuring range L/min water	Pressure loss Δ P (bar)	Float according to version		Brass	Stainless steel	Contact	Connection female thread	
		Brass	St. steel					
10... 180	0.9	brass, nickel-pl.	st. steel	SMV-2121H...	SMV-2221H...	..00.. = without contact	..R32 = G 1 ¼	..N32 = 1 ¼ NPT
10... 250	2.0	brass, nickel-pl.	st. steel	SMV-2122H...	SMV-2222H...		..R32 = G 1 ¼	..N32 = 1 ¼ NPT

Flow meter and switches with 1 contact model: SMV-3... (Example: SMV-3121H R0 R32)

Measuring range L/min water	Pressure loss Δ P (bar)	Float according to version		Brass	Stainless steel	Contact	Connection female thread	
		Brass	St. steel					
10... 180	0.9	brass, nickel-pl.	st. steel	SMV-3121H...	SMV-3221H...	..R0.. = 1 N/O contact ..U0.. = 1 changeover contact ..C0.. = 1 N/O contact (cCSAus) ..D0.. = 1 changeover contact (cCSAus)	..R32 = G 1 ¼	..N32 = 1 ¼ NPT
10... 250	2.0	brass, nickel-pl.	st. steel	SMV-3122H...	SMV-3222H...	..RR.. = 2 N/O contact ..UU.. = 2 changeover contact ..CC.. = 2 N/O contact (cCSAus) ..DD.. = 2 changeover contact (cCSAus)	..R32 = G 1 ¼	..N32 = 1 ¼ NPT

Order Details and Dimensions

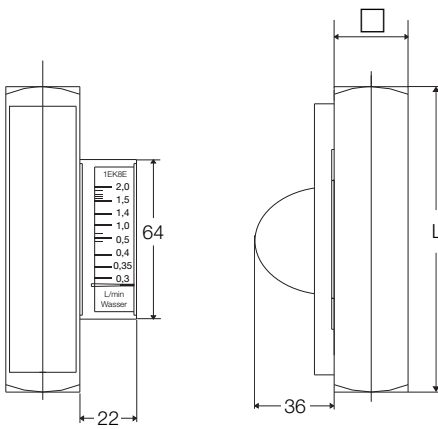
1. Flow switches with 1 contact model: SMV-1...



Model	Square [mm]	Thread G / NPT	L [mm]	Weight [kg]
SMV-1.21H	50 x 50	1 ¼	165 (175*)	2.6
SMV-1.22H	50 x 50	1 ¼	165 (175*)	2.6

* with NPT-thread

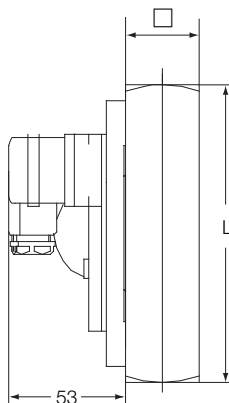
2. Flow meter model: SMV-2...



Model	Square [mm]	Thread G / NPT	L [mm]	Weight [kg]
SMV-2.21H	50 x 50	1 ¼	165 (175*)	2.6
SMV-2.22H	50 x 50	1 ¼	165 (175*)	2.6

* with NPT-thread

3. Flow meter and switches with 1 contact model: SMV-3...



Model	Square [mm]	Thread G / NPT	L [mm]	Weight [kg]
SMV-3.21H	50 x 50	1 ¼	165 (175*)	2.6
SMV-3.22H	50 x 50	1 ¼	165 (175*)	2.6

* with NPT-thread