

6

5

4

3

2

1

D

D

C

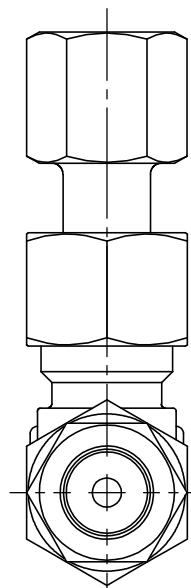
C

B

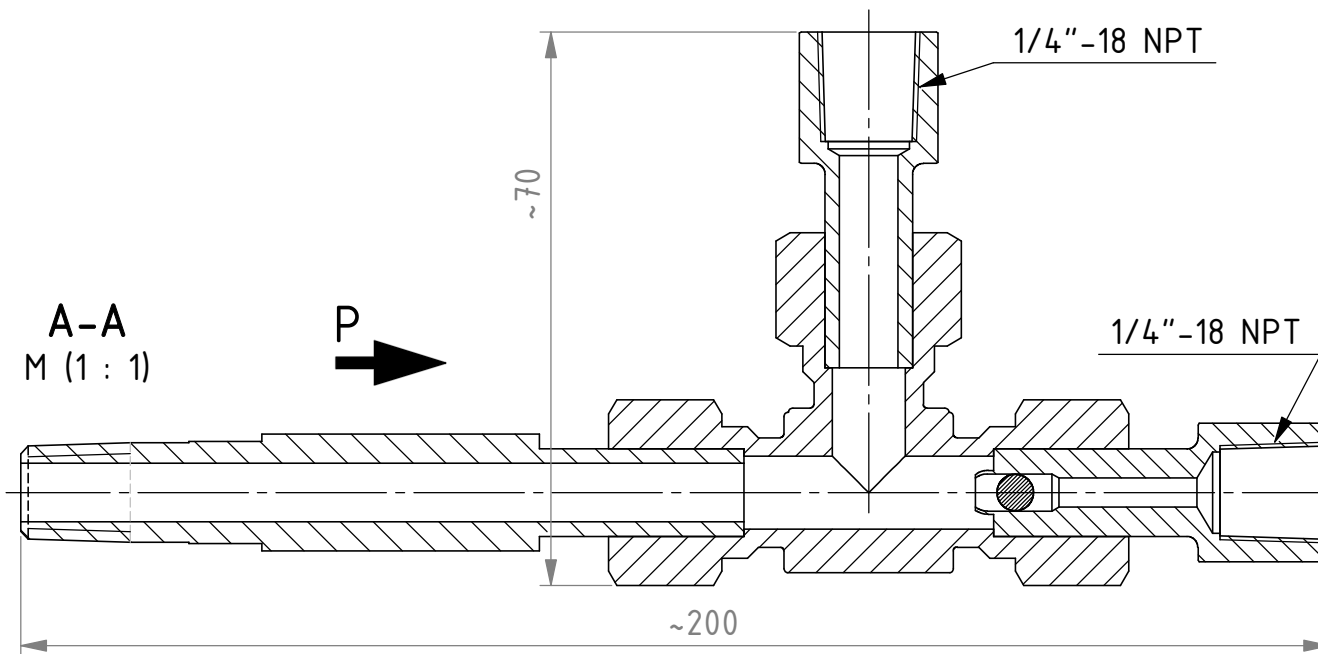
B

A

A

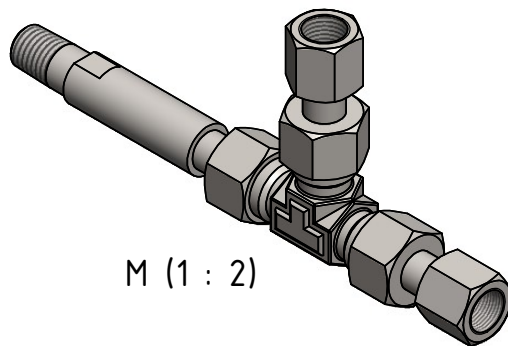
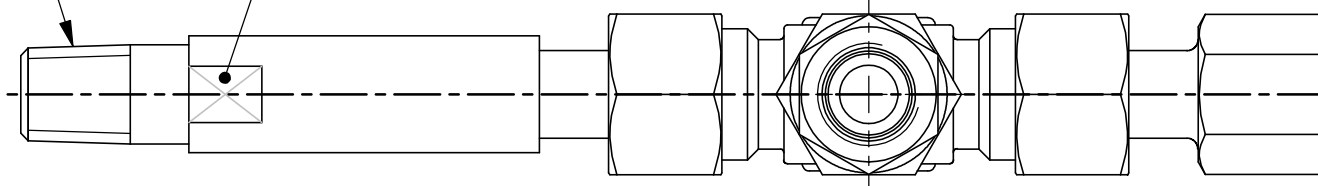


A-A
M (1 : 1)



1/4" -18 NPT

SW14



M (1 : 2)

Proprietary notice pursuant to DIN 34 to be observed	dimensions in mm		Tolerances DIN ISO 2768-m	Surfaces	Scale: 1:1	
					Stainless Steel	
History Change			DATE	NAME	Name: Schematic Diagram Excess Flow Valve	
Drawing revised/reconditioned		18.01.24	Has.	checked		Drawing no.: 0000x00007-A0_E
		Date	approved	18.01.2024		
			Berstscheiben Schlesinger GmbH Gewerbering 20 D-58579 Schalksmühle Tel.: (02355) 9271-0 / Fax: (02355) 401229 E-Mail: info@schlesinger-gmbh.de		Index: 1/1	
surrogate for: 0000x00007-A0_E					-01	A4

6

5

4

3

2

1