

YS1 / Forged Y-type strainer

DESCRIPTION

Forged manufacturing Y-type strainer, designed for removal of solid particles in liquids and gases, specially indicated for pipe-lines with high pressure or temperature. Horizontal or vertical installation. Removable and cleanable mesh screen for its maintenance though the bolted cover.

SPECS & STANDARDS

Design: API 602
Tests: API 602 / ASME B16.34
Size: from 1/2" up to 2"
Rating: 600/800Lbs y 1500 Lbs
Connections:
Threaded NPT ANSI B1.20.1
Welding end type SW ANSI B16.11
Welding end type BW ANSI B16.25

Standard filtration:
Mesh 20 (850 µm.)

Surface finish:
Carbon steel: black powder
Acero inoxidable: pasivated

Working limits:
600/800Lbs: 100 bar @ RT / 80 bar @ 400°C
1500Lbs: 250 bar @ RT / 125 bar @ 400°C

Otros sizes, ratings, temperatures and end connections under request

OPTIONS

Filtration grades available:
100, 200, 300, 400, 500 y 750 µm.
Ø1, Ø2, Ø3 y Ø5 mm.
Drain connection 1/2" NPT
Flanged ends connections RF 150 Lbs, 300 Lbs or 600 Lbs
Flanged ends connections RTJ 600 Lbs, 900 Lbs o 1500 Lbs

CERTIFICATIONS

Material and test certificate acc. EN10204 3.1
CE mark 2014/68/UE
Quality and manufacturing dossier
*All documentation under request



FEATURED SPECS

- Excelent relationship cost/performance
- Machined finish for screen assembly
- Suitable for temperatures up to 400°C

APPLICATIONS



Liquid and gas filtration

Clean water
Water cooling systems
Steam and condensate
Thermal oils
Lubricants
Fuel

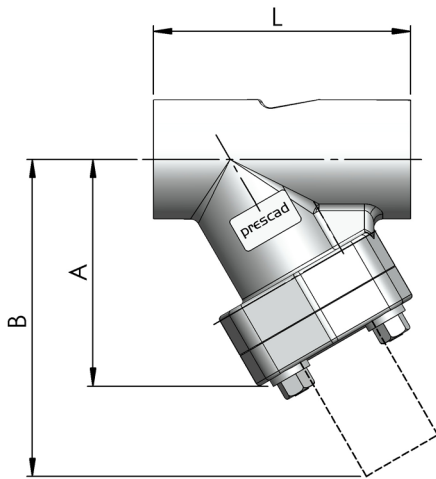


Industries

Energy generation
Oil & Gas
Chemical
Process

YS1 / Forged Y-type strainer

DIMENSIONS, PARTS AND MATERIALS

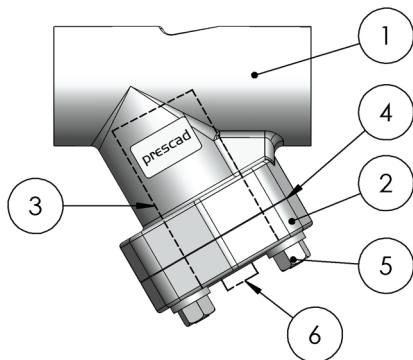


600#/800#

Size	L	A	B	Weight (kg.)
1/2"	100	66	100	2,0
3/4"	100	68	100	2,0
1"	120	93	140	3,7
1 1/2"	140	107	160	8,2
2"	170	121	180	11,0

1500#

Size	L	A	B	Weight (kg.)
1/2"	100	68	100	2,0
3/4"	120	93	140	3,7
1"	140	107	160	8,2
1 1/2"	170	121	180	11,0
2"	220	145	200	20,0



600#/800#-1500#

Item	Part	Carbon steel	Stainless Steel
1	Cuerpo	A105N	A182 F316L
2	Tapa	A105N	A182 F316L
3	Tamiz	AISI 304L	AISI 316L
4	Junta	Grafito+AISI 316L	
5	Tornillos	A193 B7	A193 B8M
6*	Tapón	A105N	A182 F316L

*Plug optional

Other materials available under request:

A182 F11
 A182 F22
 A182 F321
 Alloy 20
 Alloy 825