

# Flow and temperature meter for oil-based liquids



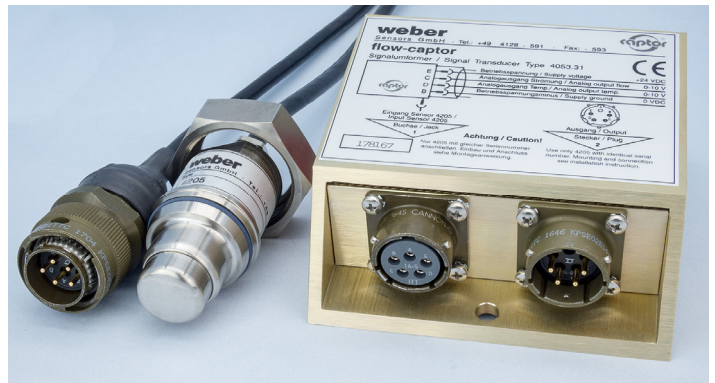
## flow-captor 4205 / 4053.31

The flow-captor type 4205, together with the separate electronic unit type 4053.31, monitors flow as well as temperature of oil-based liquids up to a medium temperature of 100 °C.

The flow-captor sensor with stainless steel housing can easily be mounted by using the related conical fitting and for fixing by the union nut (M 36 x 2).

The sensor transmits the pulsed flow signal and the analog temperature signal to the transducer where the signals are converted into separate analog output voltages.

The flow-captor operates according to the calorimetric principle, which is unsurpassed by other sensing technologies, where the ruggedness and reliability



quality of the flow-captor cannot be matched.

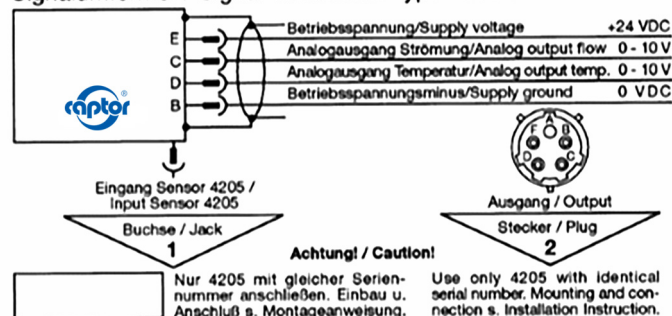
- Simple to install
- Flow and temperature meter for oil-based liquids
- No moving parts
- Stainless steel housing and sensing surface
- **ISO 9001 : 2015**

Technical data		
Type	<b>4205 / 4053.31</b>	
Medium	oil-based solutions	
Sensor data type 4205		
Housing	stainless steel, WN 1.4305	
Union nut	M36x2	
Sensor connection	50 cm shielded 5 x 0.5 mm <sup>2</sup>	
Connector	5 - pin male plug (Cannon)	
Temperature of medium	-20 °C to +100 °C	
Flow measuring range	0 - 400 cm/s (related to oil, type Shell Diala S4 ZX-I)	
Electrical data (electronic unit) type 4053.31		
Protection class	IP65	
Housing	aluminium, surface protection: SurTec 650 chromital	
Supply voltage	24 VDC ± 10%	
Power consumption	2 W typical, max. 3 W	
Ambient temperature	-20 °C to +70 °C	
Connection	5 - pin female socket (Cannon)	
Output / supply connection	4 - pin male socket (Cannon)	
Output / supply connector	cable, 2 m length *, with one female plug (Cannon)	
Output	temperature	flow
Measuring range **	-20 °C to +100 °C ***	0 to 400 cm/s***
Analog output	0 - 10 V	0 - 10 V
Curve	linear	no linearization

\*different cable length on request  
 \*\* fixed, no range adjustment  
 \*\*\* related to oil, Shell Diala S4 ZX-I

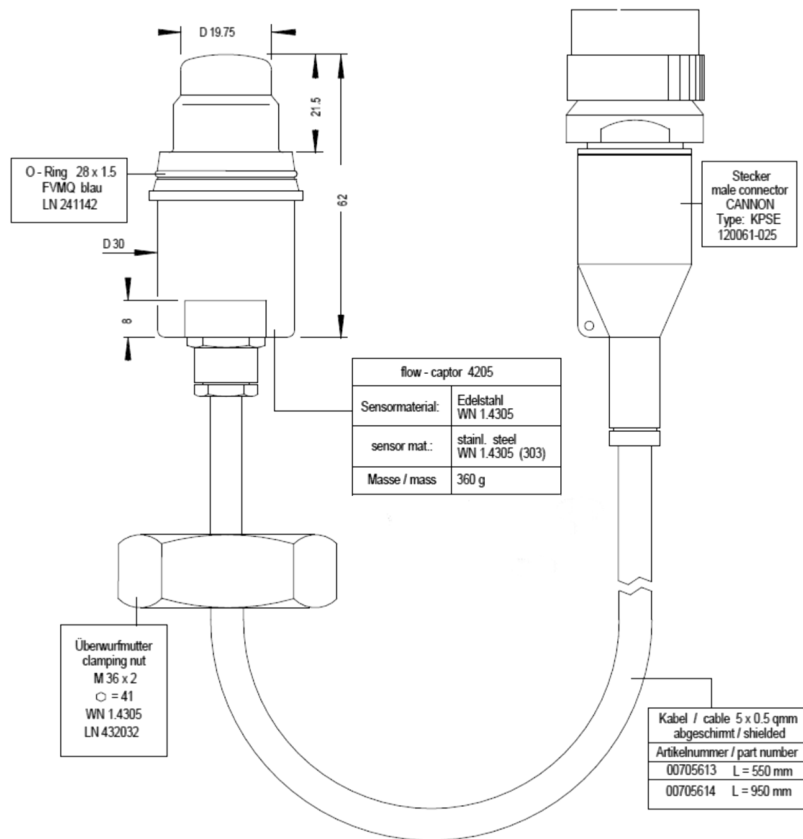
### flow-captor

Signalumformer / Signal Transducer Type 4053.31

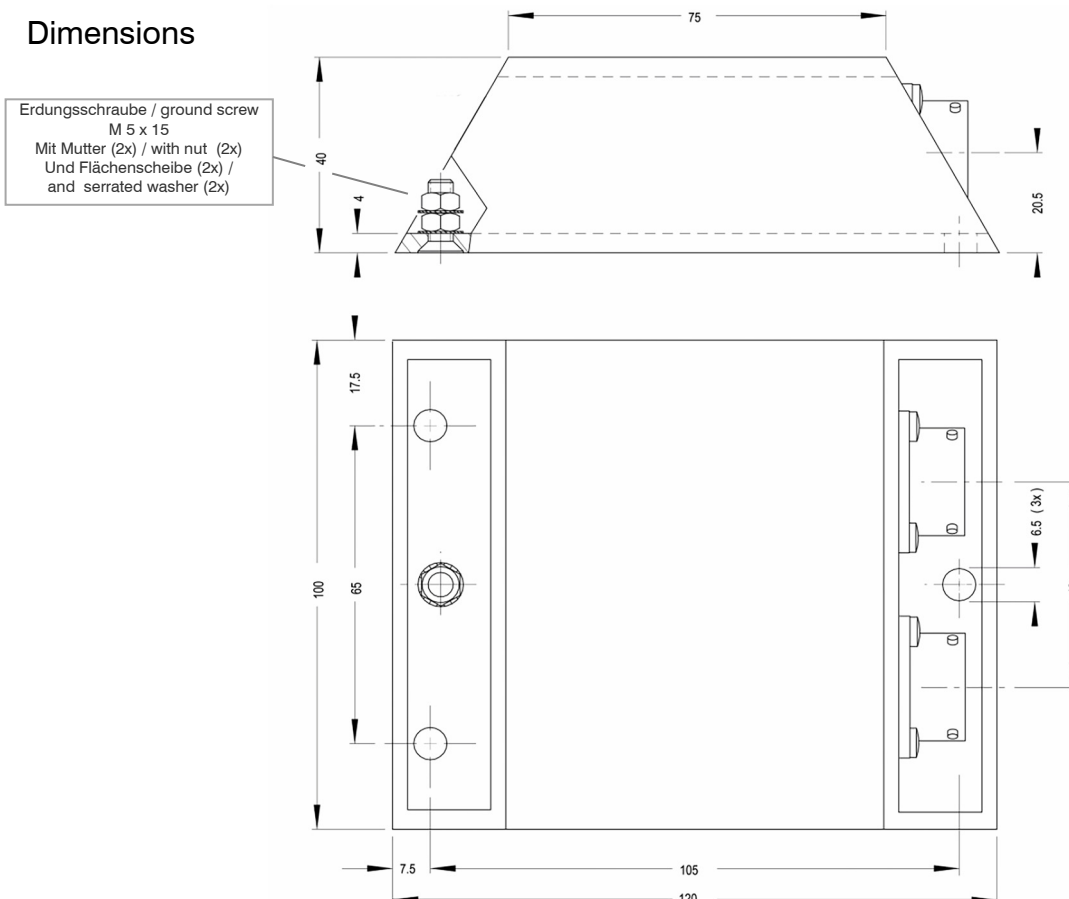


# Flow and temperature meter for oil-based liquids

## flow-captor 4205 / 4053.31



### Dimensions



**weber**

Sensors GmbH Strohdreich 32  
Sensors Ltd. 66 Eastbourne Road, Southport  
Sensors LLC. 4462 Bretton Court, Building 1, Suite 7

DE-25377 Kollmar, Germany Tel.: +49 (0)4128 - 591- Fax: - 593  
Merseyside PR8 4DU, UK Tel.: +44 (1704) - 551684 · Fax: - 551297  
Acworth, Georgia 30101, USA Tel.: +1 (770) 592 - 6630 · Fax: - 592 6640

**www.captor.de**  
info@captor.de  
sales@captor.co.uk  
sales@captor.com

Technical data subject to alteration! Rev. AJ 13.05.19